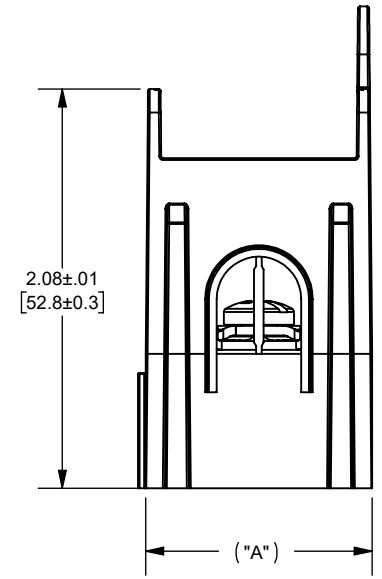
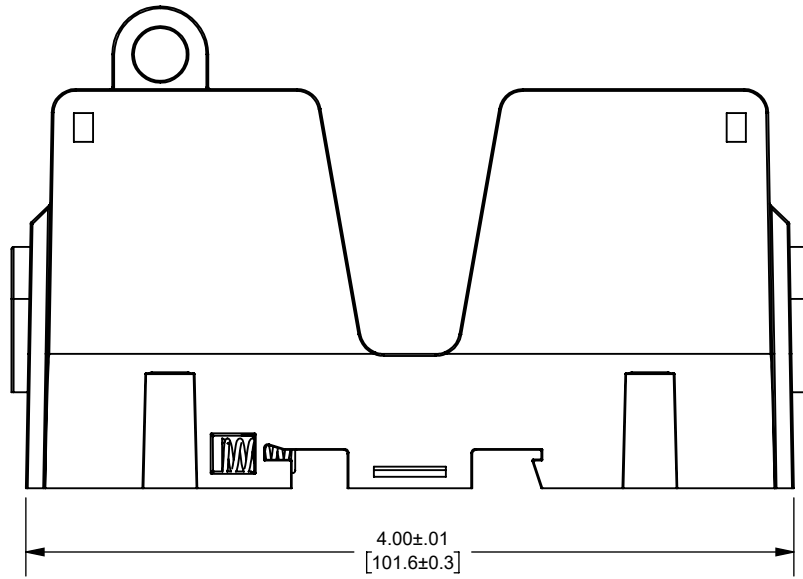


REV.	DATE	ECO	DESCRIPTION	BY	CK	APP
A	3/15/2023	16668	INITIAL RELEASE	MAR	N/A	SEE ECO



OUTLINE DIMENSIONS  
NOT TO BE USED FOR PRODUCTION

DIMENSIONS IN [ ]  
ARE MILLIMETERS

<i>Approval stage / Etat d'approbation:</i>		Product Class:/ Product Type: <b>CLASS J</b>	
		Product amp rating:/ Voltage rating: <b>30A 600V</b>	
<i>Initial ECO / ECO intiale:</i>		Title / Titre: <b>OUTLINE</b>	
<i>Draw by / Dessiné par:</i>		Date :	
<i>Checked by / Vérifié par:</i>		Date :	
		Drawing / de dessin: <b>OUT-380444</b>	
		Weight : Masse :	
		Rev : Rév :	
Electrical Power 374 MERRIMAC STREET NEWBURYPORT, MA 01950	Éch / Scale : <b>1:1</b> Format / Size : <b>A</b>	Part / Article: <b>SEE TABLE</b>	Page : 1/1

CATALOG NUMBER	NUMBER OF POLES	"A" DIMENSION
FB60J30P3	3	3.540 ±.030 [90.0 ± 0.9]
FB60J30P2	2	2.360 ±.020 [60.0 ± 0.6]
FB60J30P1	1	1.180 ±.010 [30.0 ± 0.3]



Ce plan strictement confidentiel est la propriété exclusive de la société MERSEN sans l'autorisation écrite de laquelle il ne peut être ni reproduit, ni copié, ni communiqué à des tiers.  
This drawing and specifications there on is property of MERSEN and shall not be reproduced or copied or used in whole or in part as the base for manufacture or sale of item without written permission.