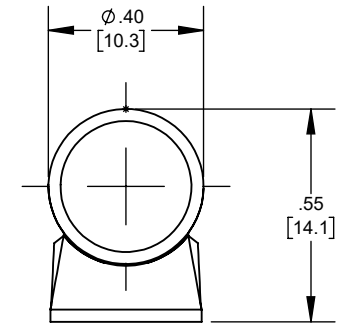
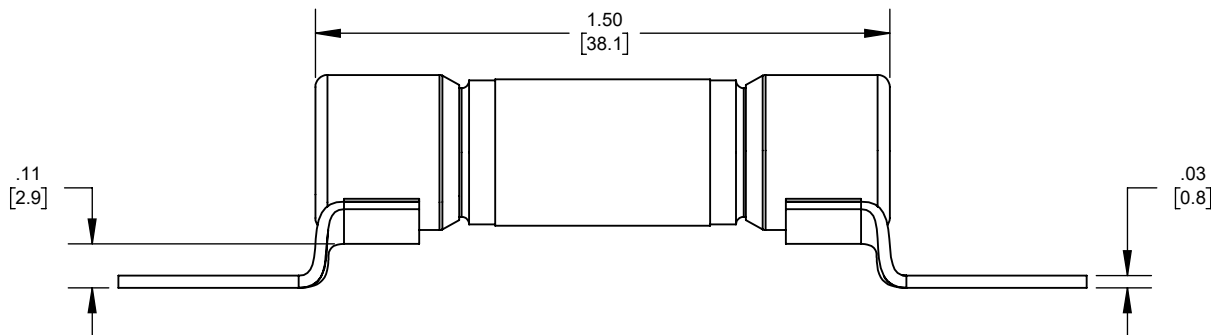
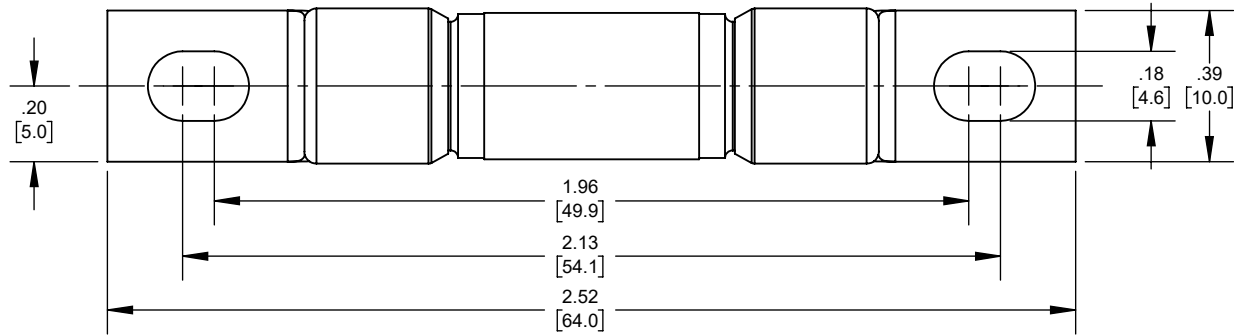


REV.	DATE	ECO	DESCRIPTION	BY	CK	APP
A	2/14/2023	17152	INITIAL RELEASE	ABT	N/A	SEE ECO



OUTLINE DIMENSIONS  
NOT TO BE USED FOR PRODUCTION

DIMENSIONS IN [ ]  
ARE MILLIMETERS

MDC06A50S
MDC06A40S
MDC06A35S
MDC06A30S
MDC06A25S
MDC06A20S
MDC06A15S
MDC06A12S
MDC06A10S
MDC06A8S
MDC06A7S
MDC06A6S
MDC06A5S
MDC06A4S
MDC06A3S
MDC06A2S
MDC06A1S
CATALOG NUMBER

Approval stage / Etat d'approbation: <b>APPROUVÉ POUR FABRICATION / APPROVED FOR MANUFACTURING</b>	Product Class:/ Product Type: <b>DC DISTRIBUTION FUSE</b>		
	Product amp rating:/ Voltage rating: <b>1-50A 600V AC/DC</b>		
Initial ECO / ECO intiale: <b>ECO-17152-000</b>	Title / Titre: <b>OUTLINE</b>	Weight : Masse :	
Draw by / Dessiné par: <b>Alma Balcazar</b>	Date : <b>3/1/2023</b>	<b>MDC06A(1-50)S</b>	
Checked by / Vérifié par: <b>Yadyra Fang</b>	Date : <b>3/1/2023</b>		
Electrical Power 374 MERRIMAC STREET NEWBURYPORT, MA 01950	Éch / Scale : <b>2:1</b> Format / Size : <b>A</b>	Part / Article: <b>SEE TABLE</b>	Page : <b>1/1</b>
Drawing / de dessin: <b>OUT-1201790</b>		Rev : Rév : <b>A</b>	
<b>MERSEN</b>			

Ce plan strictement confidentiel est la propriété exclusive de la société MERSEN sans l'autorisation écrite de laquelle il ne peut être ni reproduit, ni copié, ni communiqué à des tiers.  
This drawing and specifications there on is property of MERSEN and shall not be reproduced or copied or used in whole or in part as the base for manufacture or sale of item without written permission.