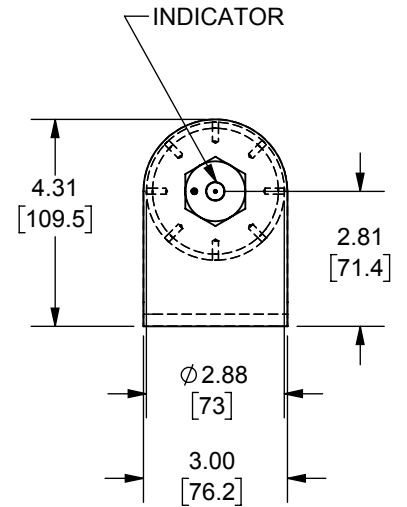
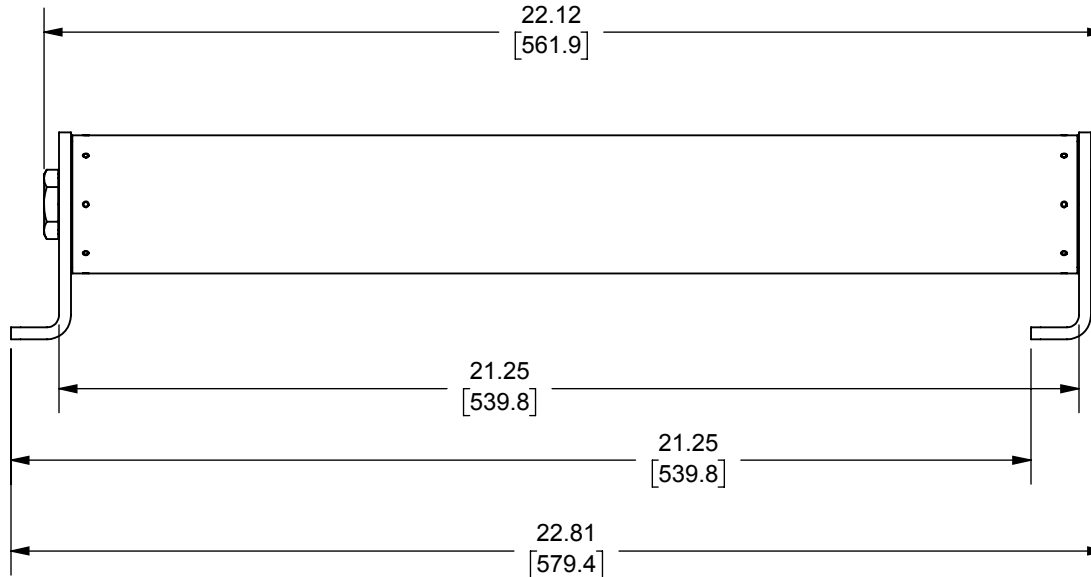
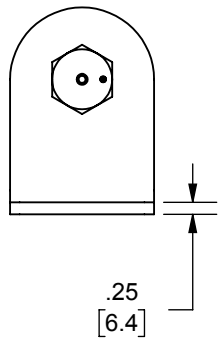
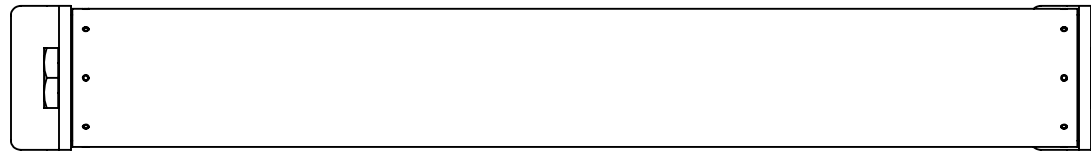


REV.	DATE	ECO	DESCRIPTION	BY	CK	APP
-	2-6-20	N/A	INITIAL RELEASE	LDB	N/A	N/A



DIMENSIONS IN [] ARE MILLIMETERS



MERSEN USA NEWBURYPORT-MA, LLC
374 MERRIMAC STREET
NEWBURYPORT, MA 01950

A155C1D0R0-(65,85,100)E

MEDIUM VOLTAGE, CLIP LOC

65E-100E 15.5kV

OUTLINE DIMENSIONS
NOT TO BE USED FOR PRODUCTION

702353

PRODUCT MANAGER

SIGN:

DATE:

DESIGN ENGINEER

SIGN:

DATE: