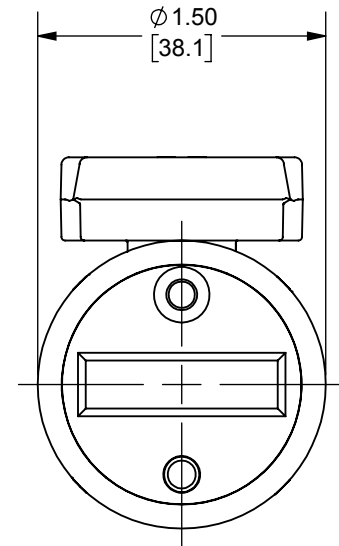
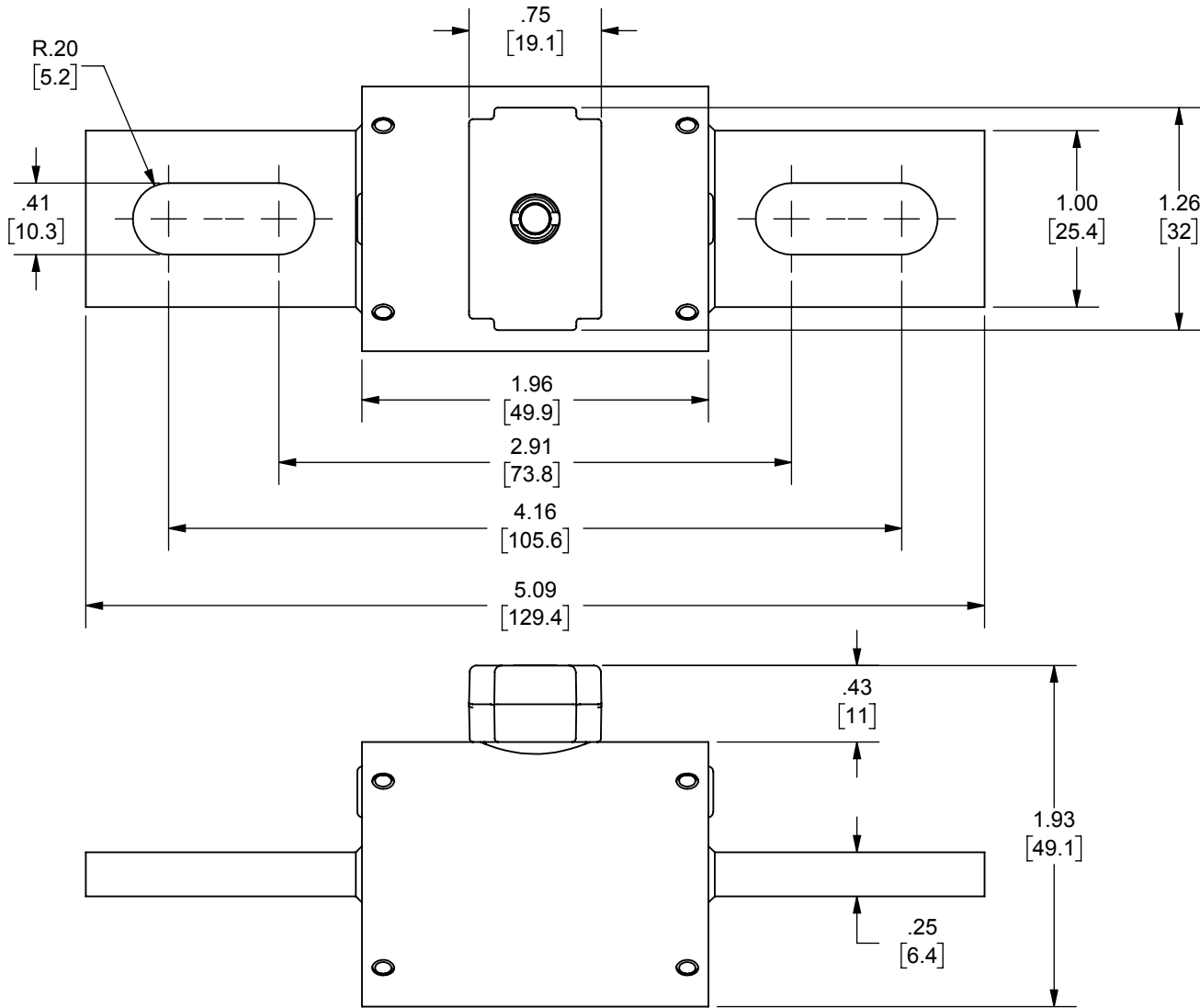


REV.	DATE	ECO	DESCRIPTION	BY	CK	APP
-	10/23/19	N/A	INITIAL RELEASE	GDR	N/A	N/A



DIMENSIONS IN [ ] ARE MILLIMETERS



MERSEN USA NEWBURYPORT-MA, LLC  
374 MERRIMAC STREET  
NEWBURYPORT, MA 01950

PRODUCT MANAGER

SIGN: YICHI AU

DATE: 11/6/19

DESIGN ENGINEER

SIGN: K.HORNE

DATE: 11/6/19

A70Q(125-200)-4IL

FORM 101 TYPE 4IL

125A-200A 700V

OUTLINE DIMENSIONS  
NOT TO BE USED FOR PRODUCTION

702299