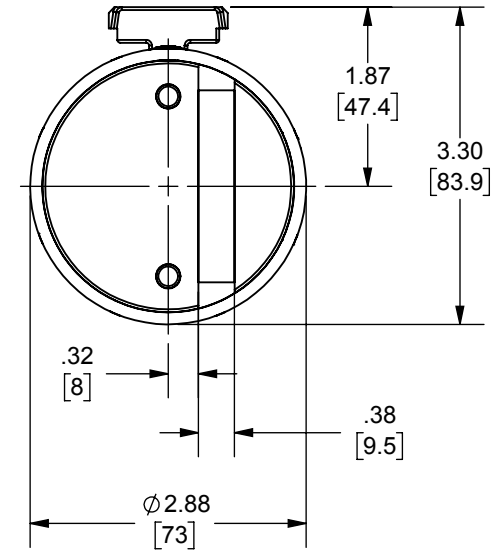
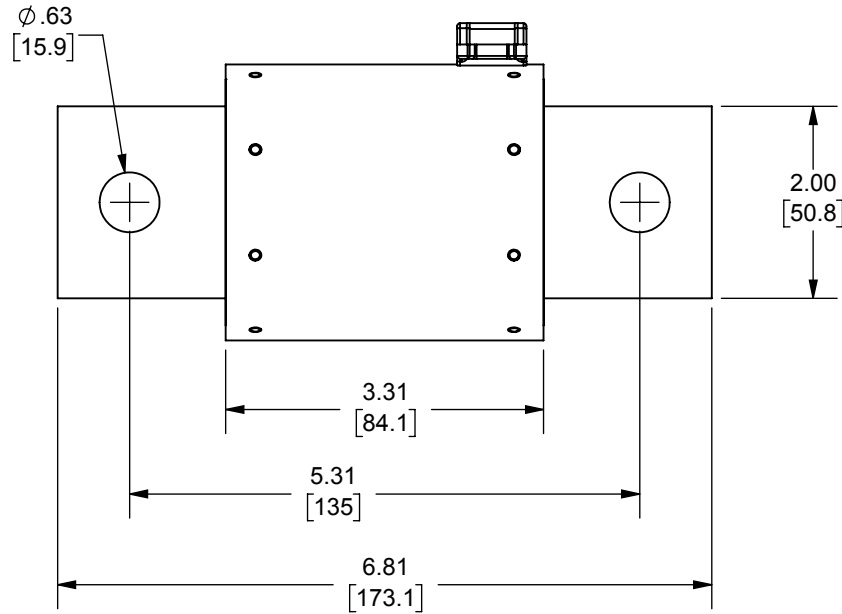
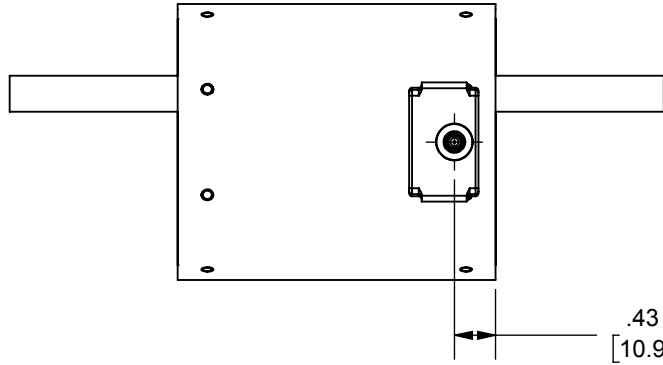


REV.	DATE	ECO	DESCRIPTION	BY	CK	APP
-	10/11/19	N/A	INITIAL RELEASE	LDB	N/A	N/A



DIMENSIONS IN [] ARE MILLIMETERS



MERSEN USA NEWBURYPORT-MA, LLC
374 MERRIMAC STREET
NEWBURYPORT, MA 01950

A70P800-4TA

FORM 101

800A 700V

OUTLINE DIMENSIONS
NOT TO BE USED FOR PRODUCTION

702294

PRODUCT MANAGER

SIGN:

DATE:

DESIGN ENGINEER

SIGN:

DATE: