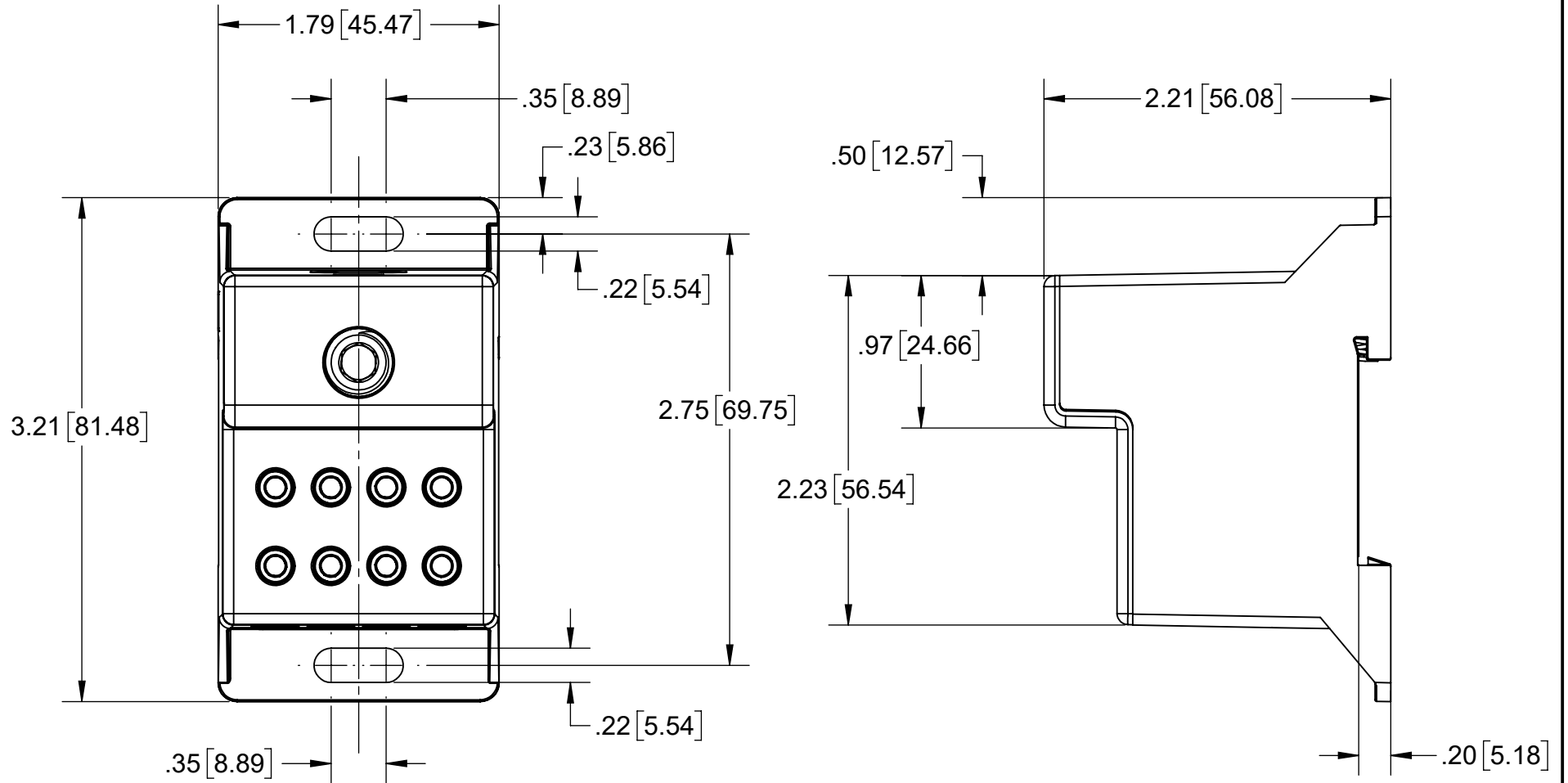


REV	DATE	DESCRIPTION	BY	CK	APP
-	07/13/2019	INITIAL RELEASE			



DIMENSIONS IN [] ARE MILLIMETERS



MERSEN USA NEWBURYPORT-MA, LLC
374 MERRIMAC STREET
NEWBURYPORT, MA 01950

CEP-FSPDB200

POWER DISTRIBUTION BLOCK

200A 600V

OUTLINE DIMENSIONS
NOT TO BE USED FOR PRODUCTION

702266

PRODUCT MANAGER

SIGN:

DATE:

DESIGN ENGINEER

SIGN:

DATE: