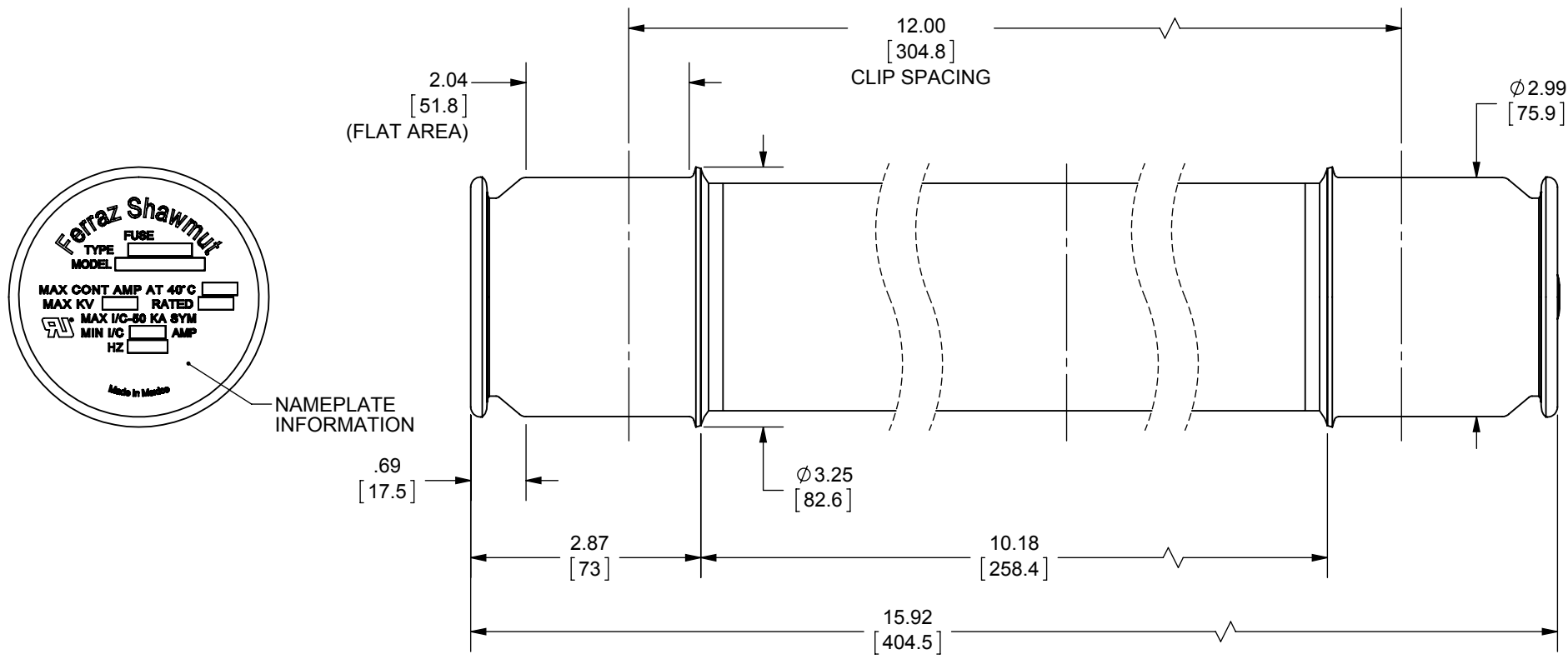


REV.	DATE	ECO	DESCRIPTION	BY	CK	APP
-	4/22/15	21245	INITIAL RELEASE	KMH	N/A	N/A

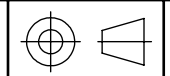


DIMENSIONS IN [] ARE MILLIMETERS



MERSEN USA NEWBURYPORT-MA, LLC
 374 MERRIMAC STREET
 NEWBURYPORT, MA 01950

9F60LJN(302-312)
 MEDIUM VOLTAGE
 R-RATED
 2R - 12R 5.08kV



OUTLINE DIMENSIONS
 NOT TO BE USED FOR
 PRODUCTION

PRODUCT MANAGER
 SIGN: R BERNSTEIN
 DATE: 6-22-15

DESIGN ENGINEER
 SIGN: S MOODY
 DATE: 6-22-15

702078