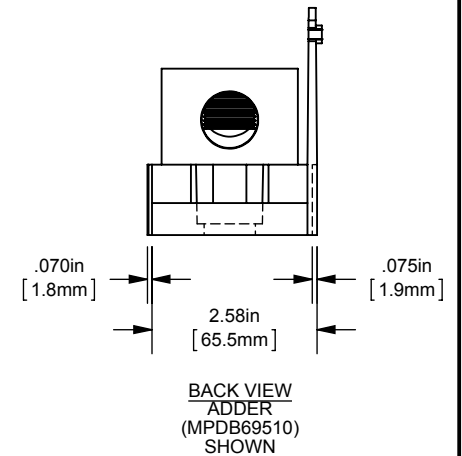
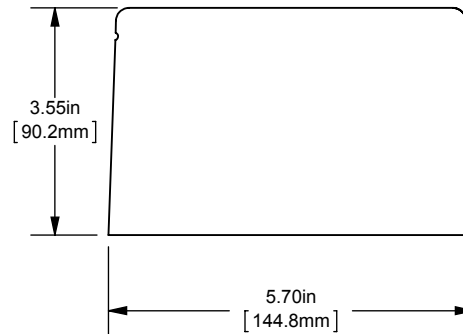
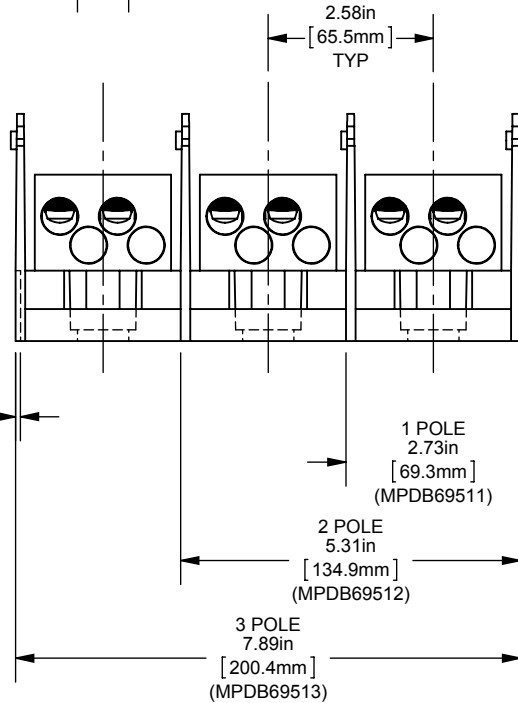
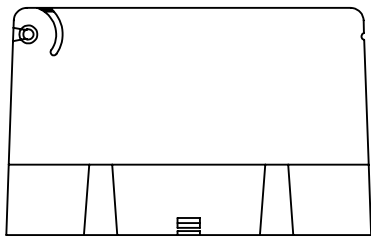
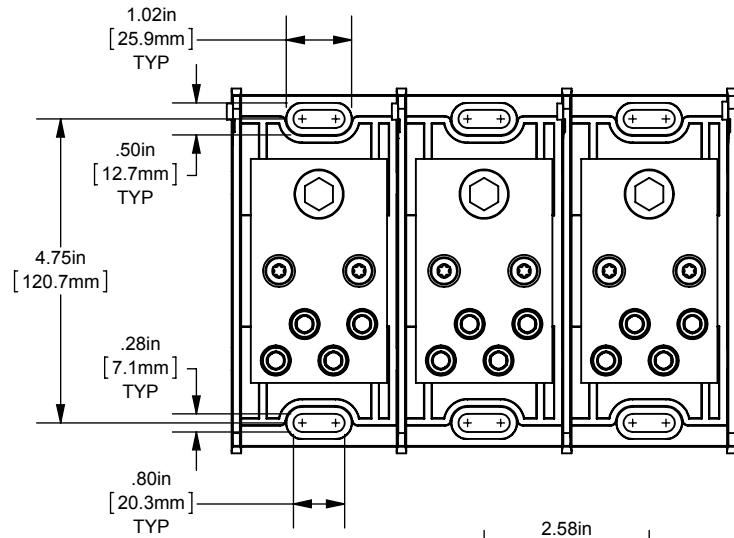


REV.	DATE	ECO	DESCRIPTION	BY	CK	APP
-	9/17/2013	N/A	INITIAL RELEASE	GDR	N/A	N/A



DIMENSIONS IN [] ARE MILLIMETERS



MERSEN USA NEWBURYPORT-MA, LLC
374 MERRIMAC STREET
NEWBURYPORT, MA 01950

MPDB(69510, 69511, 69512, 69513)

PDB 1-3P, ADDER AL LARGE UL1953

(1) 500-4 X (4) 4/0-6

OUTLINE DIMENSIONS
NOT TO BE USED FOR PRODUCTION

702001

PRODUCT MANAGER

SIGN:

DATE:

DESIGN ENGINEER

SIGN:

DATE: (SEE ECO)