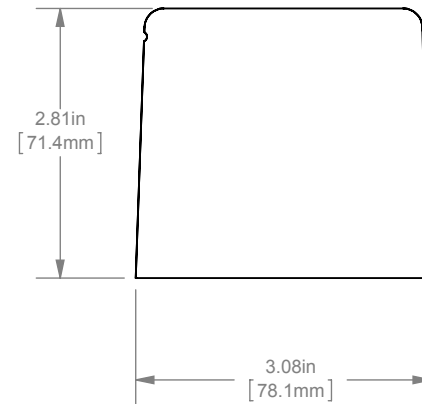
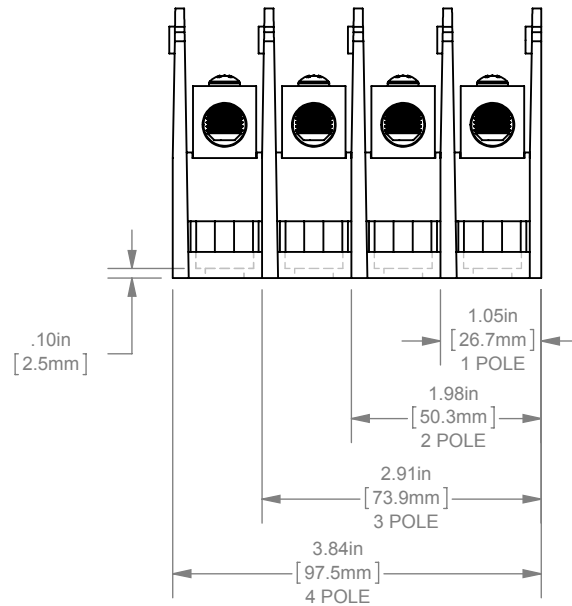
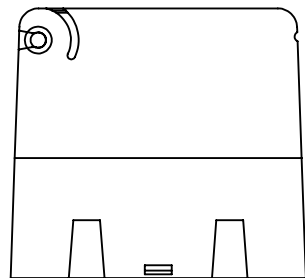
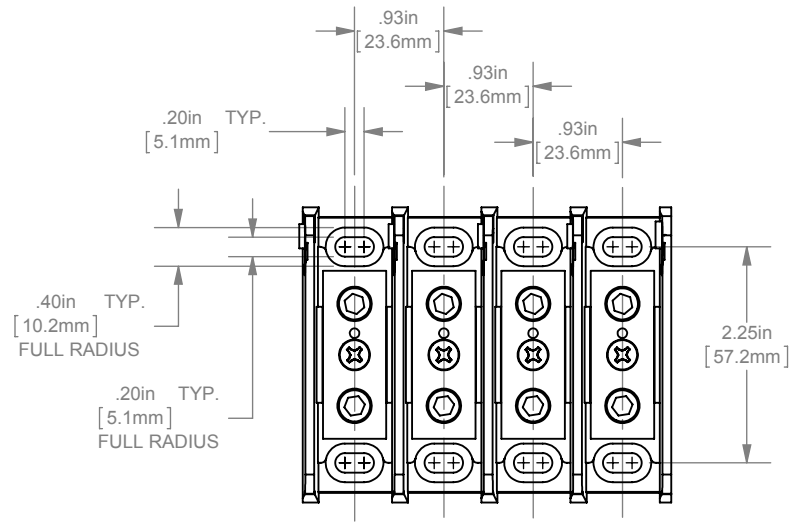
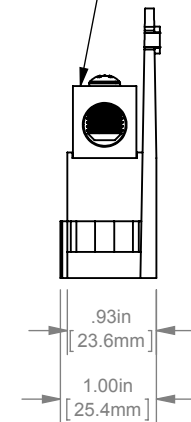


REV.	DATE	ECO	DESCRIPTION	BY	CK	APP
-	8/23/2013	NA	INITIAL RELEASE	LDB	NA	NA



REAR VIEW SHOWING ADDER



DIMENSIONS IN [] ARE MILLIMETERS



MERSEN USA NEWBURYPORT-MA, LLC
374 MERRIMAC STREET
NEWBURYPORT, MA 01950

MPDB6215(0,1,2,3,4)

PDB -ADDER, 1 TO 4 POLES

(1) 2/0-14 X (1) 2/0-14 COPPER

OUTLINE DIMENSIONS
NOT TO BE USED FOR PRODUCTION

701958

PRODUCT MANAGER

SIGN:

DATE:

DESIGN ENGINEER

SIGN:

DATE: