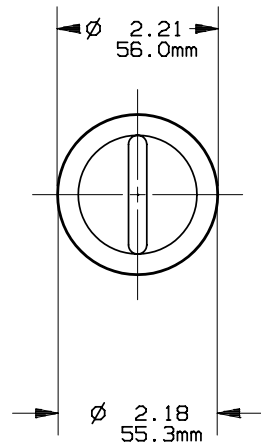
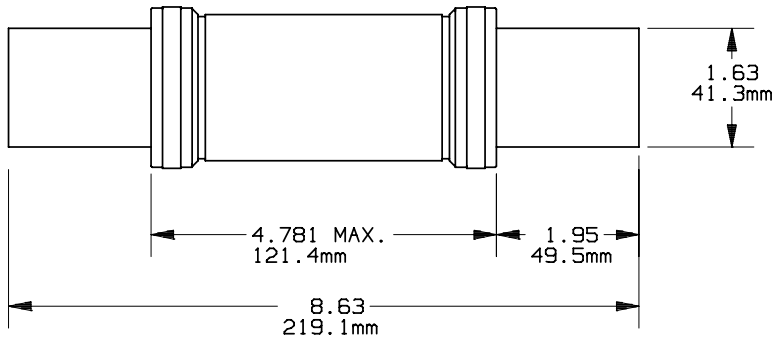
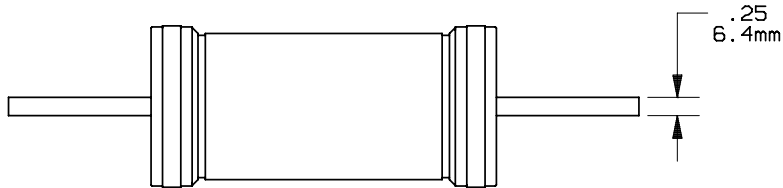


| REV | DATE | ECO | DESCRIPTION | BY | CK | APP |
|-----|----------|-----|-----------------|-----|----|-----|
| - | 12/17/10 | NA | INITIAL RELEASE | LDB | NA | NA |



MERSEN USA NEWBURYPORT-MA, LLC
 374 MERRIMAC STREET
 NEWBURYPORT, MA 01950

RF(225-400)

OUTLINE DIMENSIONS
 NOT TO BE USED FOR PRODUCTION

PRODUCT MANAGER

DESIGN ENGINEER

RENEWABLE FUSE

SIGN:
 DATE:

SIGN:
 DATE:

225-400A 250V

701633