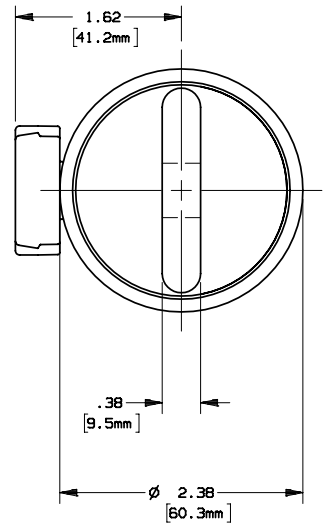
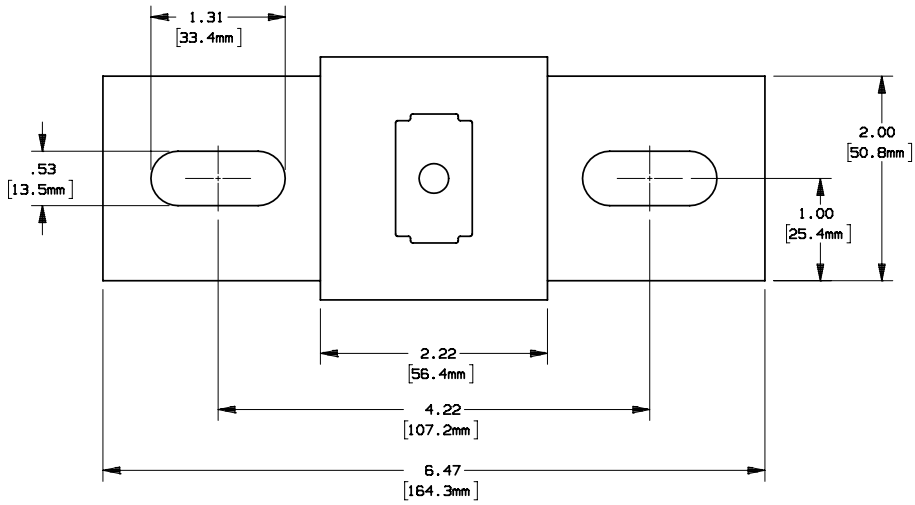


REV	DATE	ECO	DESCRIPTION	BY	CK	APP
A	9-17-03	N/A	DIM. 2.38 WAS 2.50	LDB	N/A	N/A



MERSEN USA NEWBURYPORT-MA, LLC  
 374 MERRIMAC STREET  
 NEWBURYPORT, MA 01950

A50QS(700,800)-41L

FORM 101

700-800A 500V

OUTLINE DIMENSIONS  
 NOT TO BE USED FOR PRODUCTION

700864

PRODUCT MANAGER

DESIGN ENGINEER

SIGN:  
 DATE:

SIGN:  
 DATE: