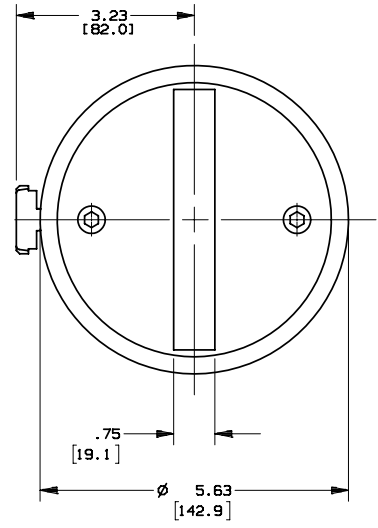
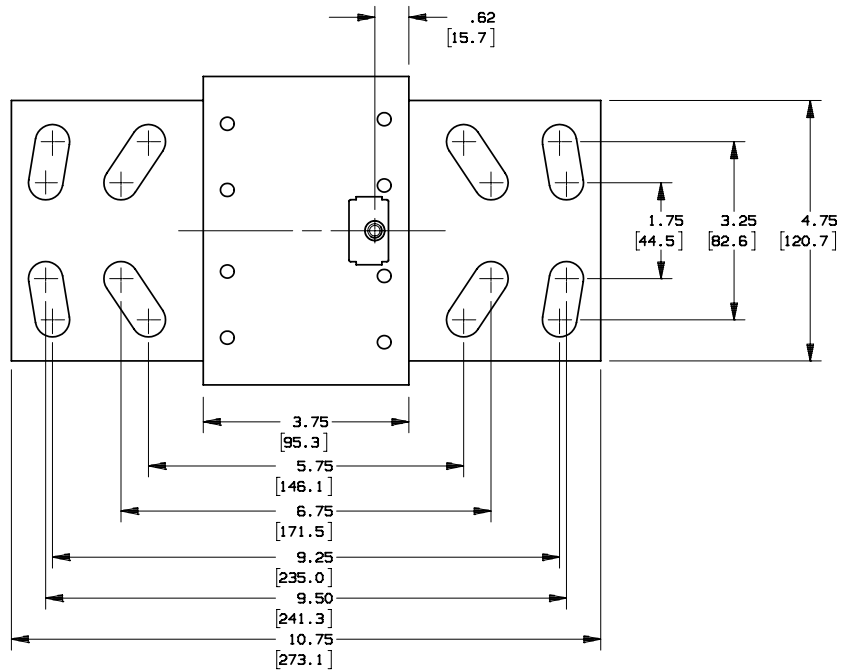


REV	DATE	ECO	DESCRIPTION	BY	CK	APP
A	4/5/04	NA	TUBE OD WAS 5.75 3.23 WAS 3.31	ELO	NA	NA



Ferraz Shawmut FERRAZ SHAWMUT INC.
374 MERRIMAC STREET
NEWBURYPORT, MA 01950

PRODUCT MANAGER
SIGN:
DATE:

DESIGN ENGINEER
SIGN:
DATE:

A4BQ(3001-4000) TYPE TA
TIME-DELAY
3001-4000A 600VAC

OUTLINE DIMENSIONS
NOT TO BE USED FOR PRODUCTION

700768