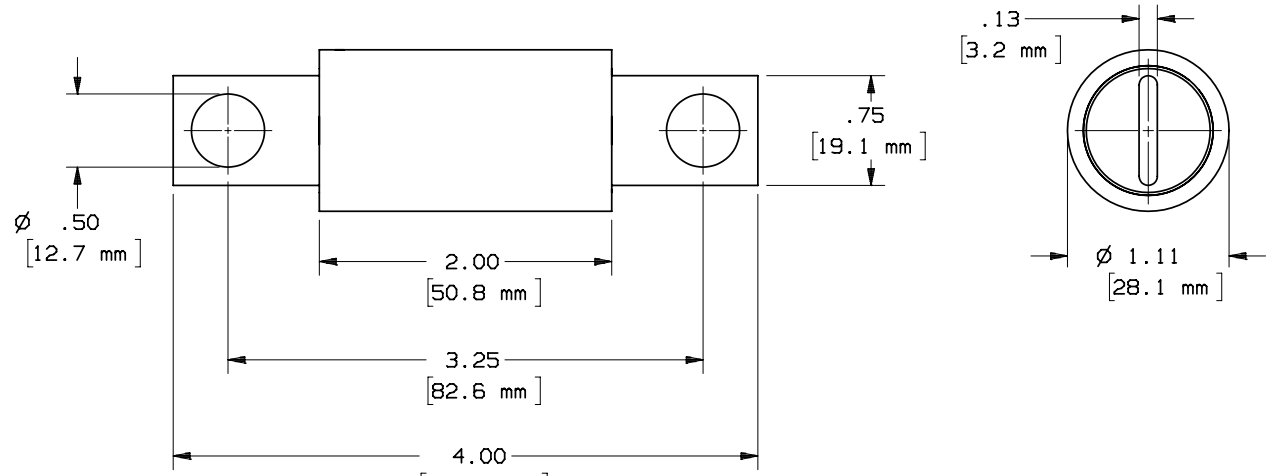



REV	DATE	ECO	DESCRIPTION	BY	CK	APP
-	8-23-01	NA	INITIAL RELEASE	KMH	NA	NA



CATALOG NO.	TYPE	CABLE SIZE
2CL4	BB	#4
2CL3		#3
2CL2		#2
2CL1		#1
2CL10		1/0
2CL20		2/0
2CL30		3/0
2CL40		4/0
2CL250		250MCM
2CL350		350MCM

 MERSEN USA NEWBURYPORT-MA, LLC 374 MERRIMAC STREET NEWBURYPORT, MA 01950	
PRODUCT MANAGER	DESIGN ENGINEER
SIGN:	SIGN:
DATE:	DATE:

CABLE LIMITER
 250 VOLT
 2CL(4 - 350)BB

OUTLINE DIMENSIONS
 NOT TO BE USED FOR PRODUCTION

700727