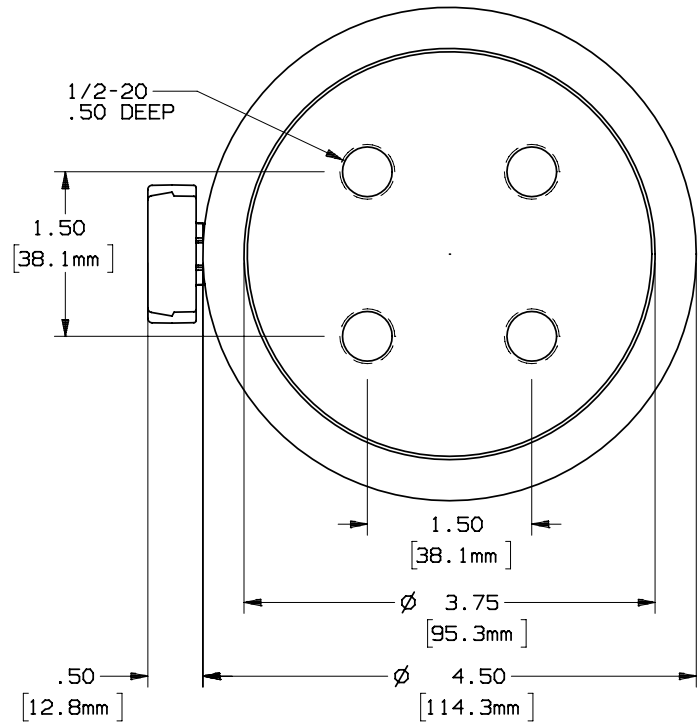
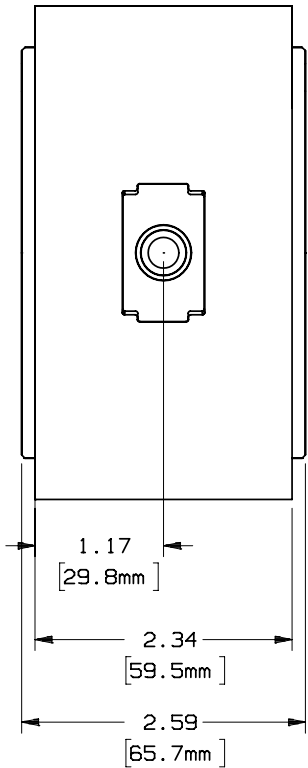


REV	DATE	ECO	DESCRIPTION	BY	CK	APP
-	6-21-00	N/A	INITIAL RELEASE	KMH	N/A	N/A



DIMENSIONS GIVEN AS <sup>in</sup> [mm]



MERSEN USA NEWBURYPORT-MA, LLC  
 374 MERRIMAC STREET  
 NEWBURYPORT, MA 01950

A30QS(3000 - 4500)-128IL

FORM 101

SEMICOND TOR FUSE

3000-4500AMPS 300VAC IEC/330VAC MAX

OUTLINE DIMENSIONS  
 NOT TO BE USED FOR PRODUCTION

700549

PRODUCT MANAGER  
 SIGN:  
 DATE:

DESIGN ENGINEER  
 SIGN:  
 DATE: