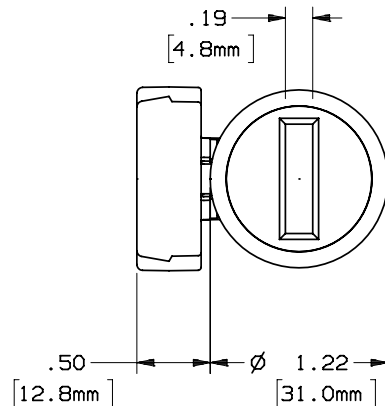
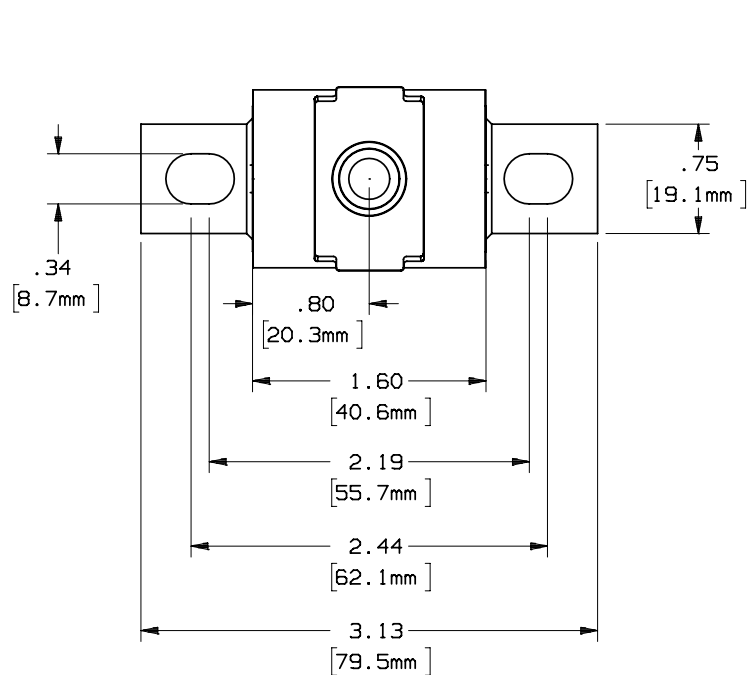


REV	DATE	ECO	DESCRIPTION	BY	CK	APP
-	6-21-00	N/A	INITIAL RELEASE	KMH	N/A	N/A



DIMENSIONS GIVEN AS ⁱⁿ [mm]



MERSEN USA NEWBURYPORT-MA, LLC
374 MERRIMAC STREET
NEWBURYPORT, MA 01950

A30QS(70 - 200)-41L

FORM 101
SEMICONDUCTOR FUSE

OUTLINE DIMENSIONS
NOT TO BE USED FOR PRODUCTION

700547

PRODUCT MANAGER

DESIGN ENGINEER

SIGN:
DATE:

SIGN:
DATE:

70-200AMPS

300VAC IEC/330VAC MAX