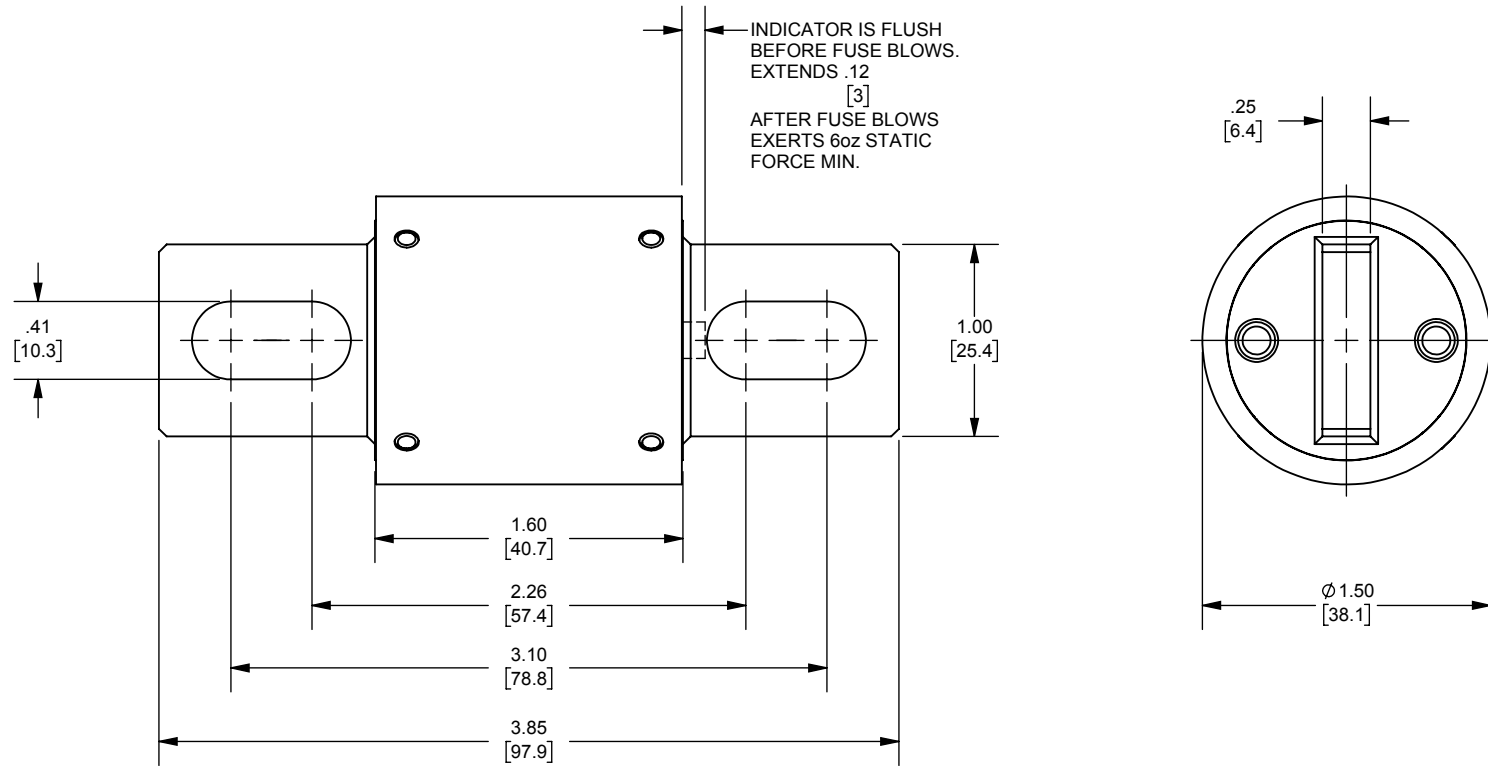


REV.	DATE	ECO	DESCRIPTION	BY	CK	APP
A	2/27/2017	N/A	REDRAWN	GDR	N/A	N/A



DIMENSIONS IN [] ARE MILLIMETERS



MERSEN USA NEWBURYPORT-MA, LLC
374 MERRIMAC STREET
NEWBURYPORT, MA 01950

A30QS(225-800)-4, 4TI

OUTLINE DIMENSIONS
NOT TO BE USED FOR PRODUCTION

PRODUCT MANAGER

SIGN: B.KIRKORIAN

DATE: 2/27/17

DESIGN ENGINEER

SIGN: S.MOODY

DATE: 2/27/17

FORM 101 SEMICONDUCTOR FUSE

225-800A 300VAC IEC/330VAC MAX

700536