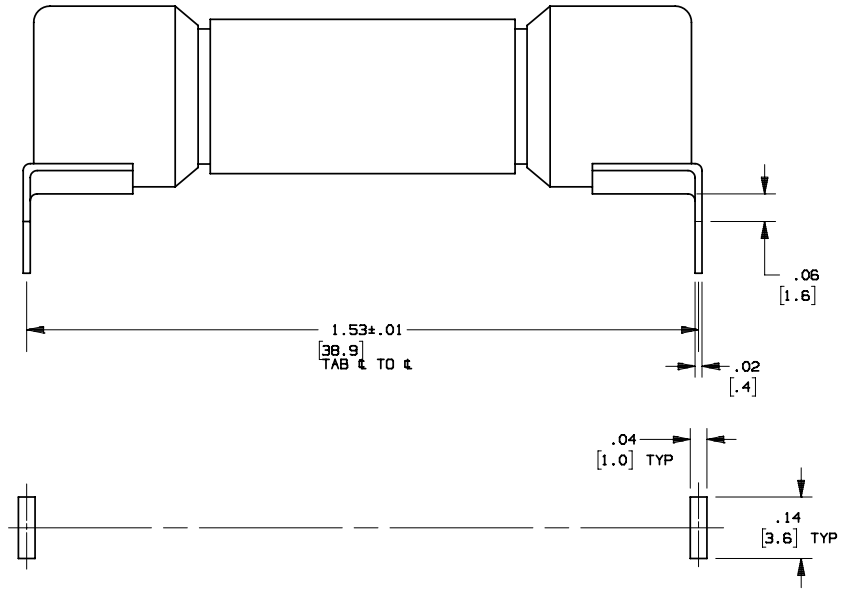
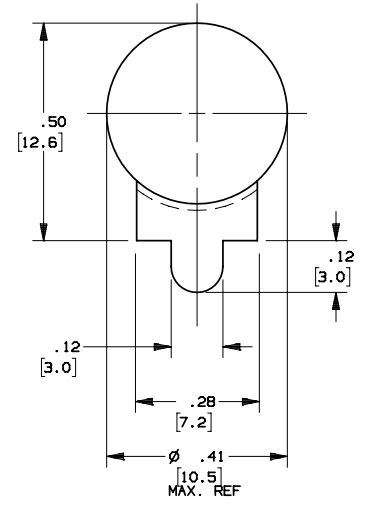


REV	DATE	ECO	DESCRIPTION	BY	CK	APP
A	02/23/98	N/A	TITLE WAS VSP 20	REM	N/A	N/A
B	01/19/01	N/A	TITLE WAS VSP(SURGE RATINGS)	CRP	N/A	N/A



MOUNTING HOLE DETAIL



FOR .062(1.6) NOMINAL
CIRCUIT BOARD THICKNESS



MERSEN USA NEWBURYPORT-MA, LLC
374 MERRIMAC STREET
NEWBURYPORT, MA 01950

OUTLINE DIMENSIONS
NOT TO BE USED FOR PRODUCTION

VSP(5-20)-R

700239

PRODUCT MANAGER
SIGN:
DATE:

DESIGN ENGINEER
SIGN:
DATE: