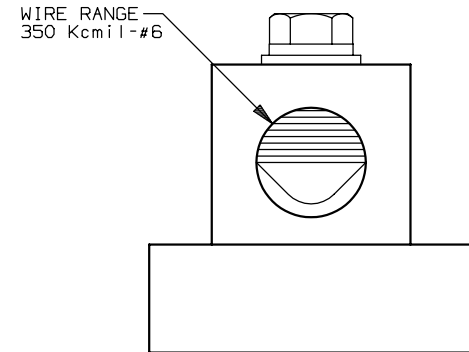
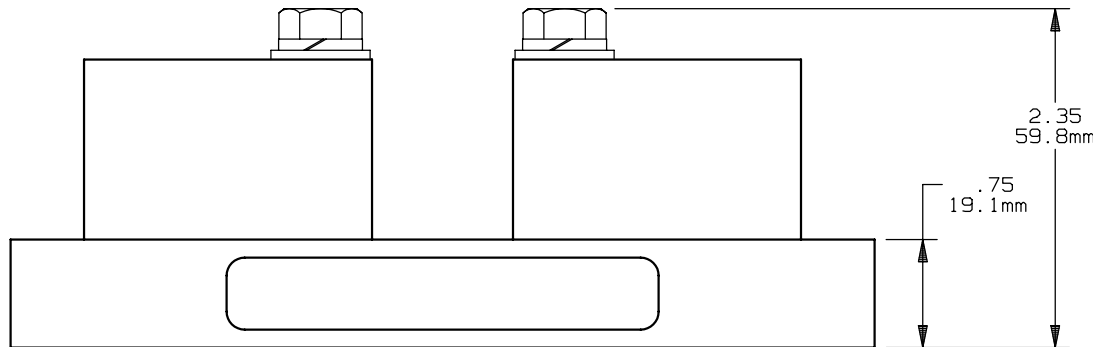
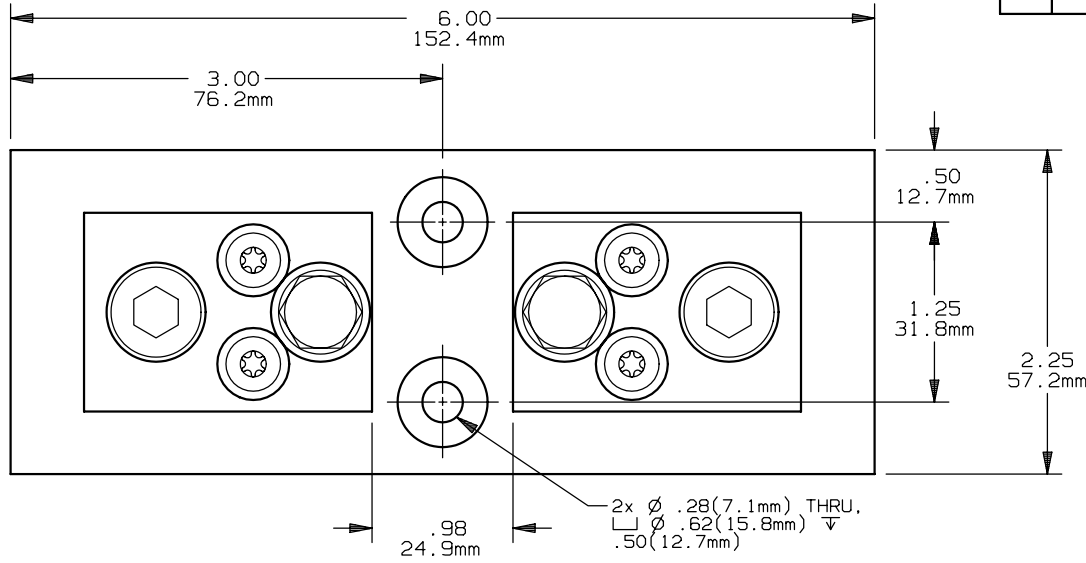


REV	DATE	ECO	DESCRIPTION	BY	CK	APP
A	6-10-97	N/A	UPDATED OUTLINE FORMAT AND DIMENSIONS	LDB	N/A	N/A



NOTES:

1. UNLESS OTHERWISE SPECIFIED MATERIAL COMPOSITION AND RATING:  
 BASE - THERMOSET 150°C RTI  
 CONNECTOR-ALUMINUM, TIN PLATED.

P/N	FUSE CLASS	RMS SYM RATING	TORQUE (IN-LBS)	CONNECTOR TYPE	WIRE		UL		CSA
					°C	TYPE	FILE NO.	GUIDE NO.	REPORT NO.
32031T	T	200K	275	BOX	75	CU-AL	E52283	IZLT	LR32169

**Ferraz Shawmut**  
 FERRAZ SHAWMUT INC.  
 374 MERRIMAC STREET  
 NEWBURYPORT, MA 01950

PRODUCT MANAGER      DESIGN ENGINEER

SIGN:                                  SIGN:  
 DATE:                                  DATE:

FUSE, BLOCK 300V-200A  
 CLASS T  
 1 POLE

OUTLINE DIMENSIONS  
 NOT TO BE USED FOR PRODUCTION

700053