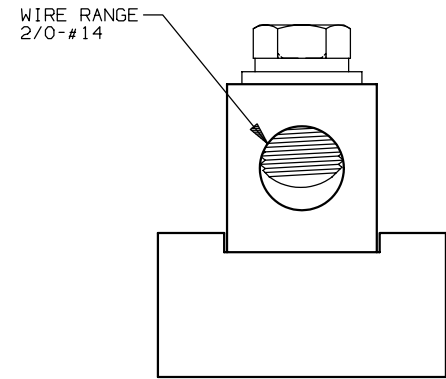
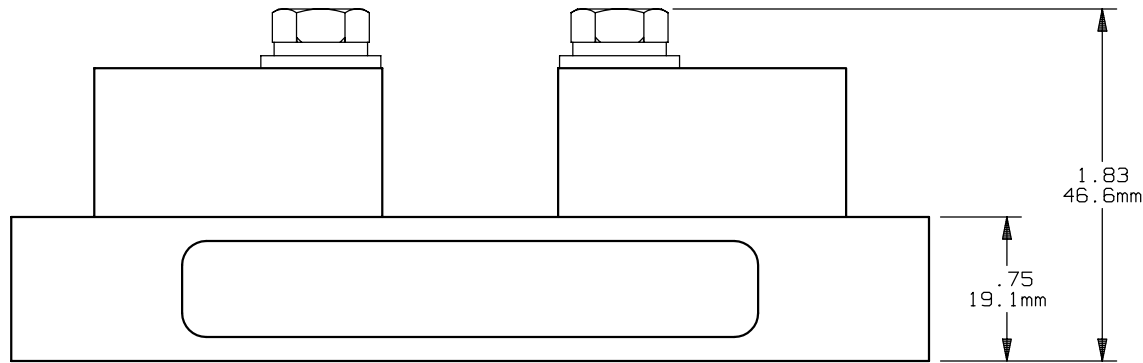
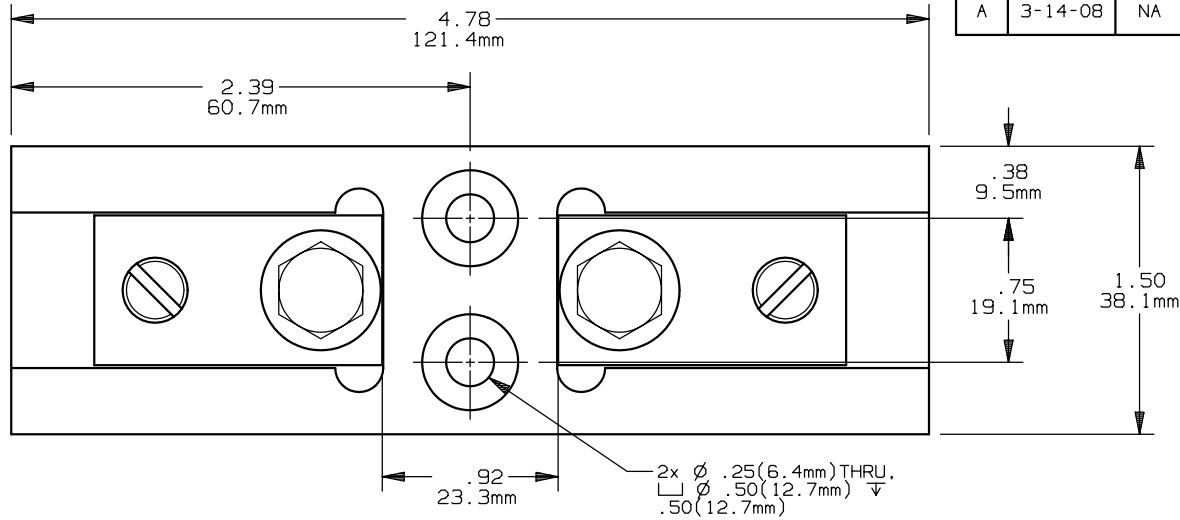


REV	DATE	ECO	DESCRIPTION	BY	CK	APP
A	3-14-08	NA	UPDATED OUTLINE FORMAT AND DIMENSIONS	LDB	NA	NA



NOTES:

- UNLESS OTHERWISE SPECIFIED MATERIAL COMPOSITION AND RATING: BASE - THERMOSET 150°C RTI CONNECTOR-COPPER, TIN PLATED.

P/N	FUSE CLASS	RMS SYM RATING	TORQUE (IN-LBS)	CONNECTOR TYPE	WIRE		UL		CSA
					°C	TYPE	FILE NO.	GUIDE NO.	REPORT NO.
31001T	T	200K	50	BOX	75	CU ONLY	E52283	IZLT	LR32169

Ferraz Shawmut
 FERRAZ SHAWMUT INC.
 374 MERRIMAC STREET
 NEWBURYPORT, MA 01950

PRODUCT MANAGER DESIGN ENGINEER

SIGN: SIGN:
 DATE: DATE:

FUSE, BLOCK 300V-100A
 CLASS T
 1 POLE

OUTLINE DIMENSIONS
 NOT TO BE USED FOR PRODUCTION

700052