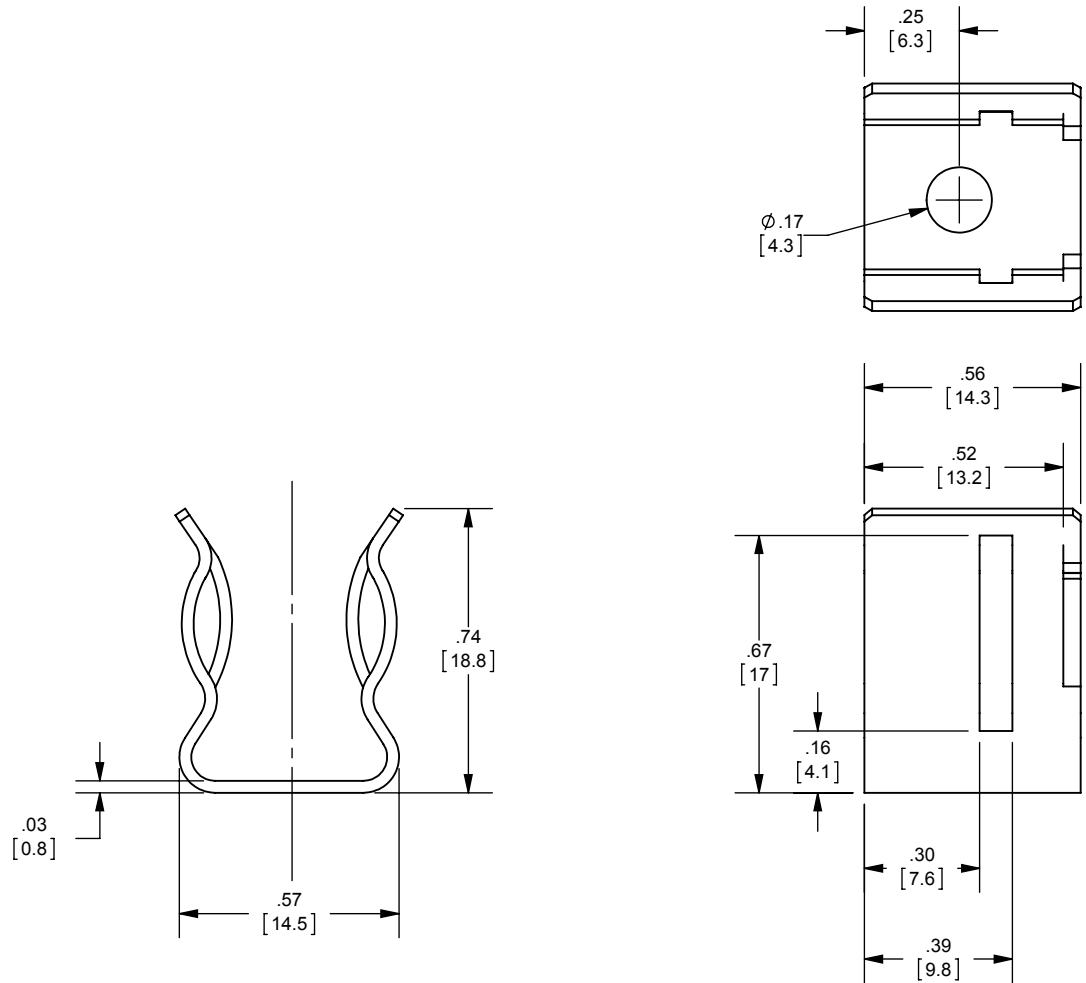


REV.	DATE	ECO	DESCRIPTION	BY	CK	APP
-	8/15/2014	N/A	REDRAWN IN SOLIDWORKS	GDR	N/A	N/A

NOTES: UNLESS OTHERWISE SPECIFIED

1. MATERIAL: COPPER ALLOY NO. C19500



DIMENSIONS IN [ ] ARE MILLIMETERS



MERSEN USA NEWBURYPORT-MA, LLC  
374 MERRIMAC STREET  
NEWBURYPORT, MA 01950

C08916P

CLIP, FUSE

.562 DIA Sn PLT

OUTLINE DIMENSIONS  
NOT TO BE USED FOR PRODUCTION

27B0080

PRODUCT MANAGER

SIGN:

DATE:

DESIGN ENGINEER

SIGN:

DATE: (SEE ECO)