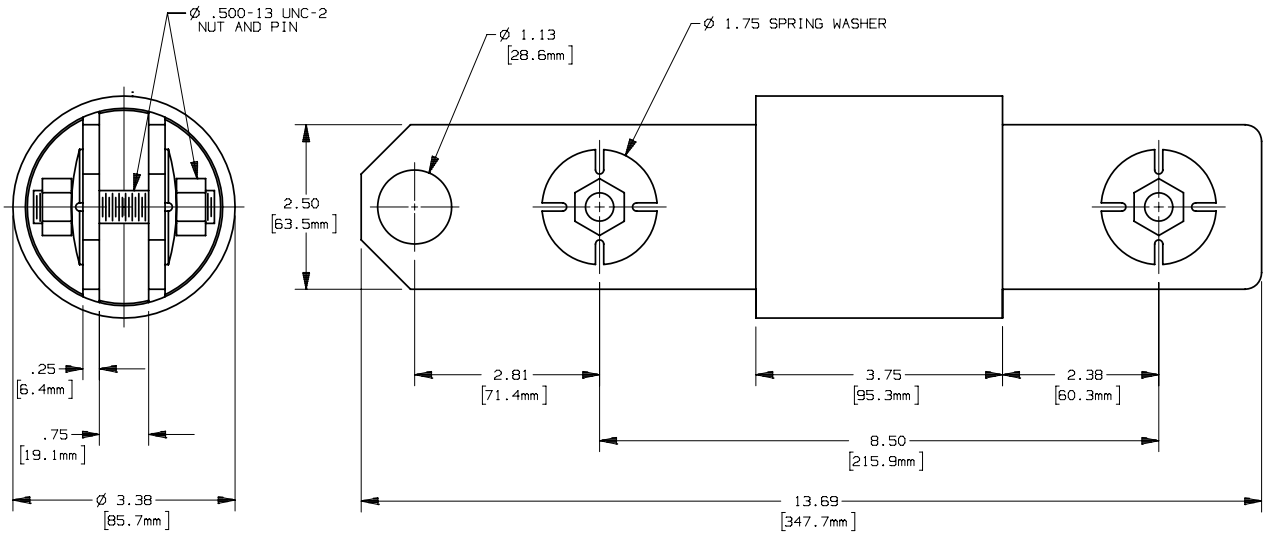



| REV | DATE    | ECO | DESCRIPTION  | BY  | CK | APP |
|-----|---------|-----|--|-----|----|-----|
| C   | 5/16/05 | NA  | ADDED TORQUE NOTE<br>REMOVED X FROM CATALOG NUMBER | ELO | NA | NA  |



TORQUE NUTS TO 31-35 FT-LBS

|  |                                       |   |   |
|--|---------------------------------------|---|---|
|  MERSEN USA NEWBURYPORT-MA, LLC<br>374 MERRIMAC STREET<br>NEWBURYPORT, MA 01950 |                                       | A6Y(1400-1600)-5<br><br>FORM 600<br><br>1400-1600A 600V | OUTLINE DIMENSIONS<br>NOT TO BE USED FOR PRODUCTION |
|  |                                       |   | 18464   |
| PRODUCT MANAGER<br><br>SIGN:<br>DATE:  | DESIGN ENGINEER<br><br>SIGN:<br>DATE: |   |   |