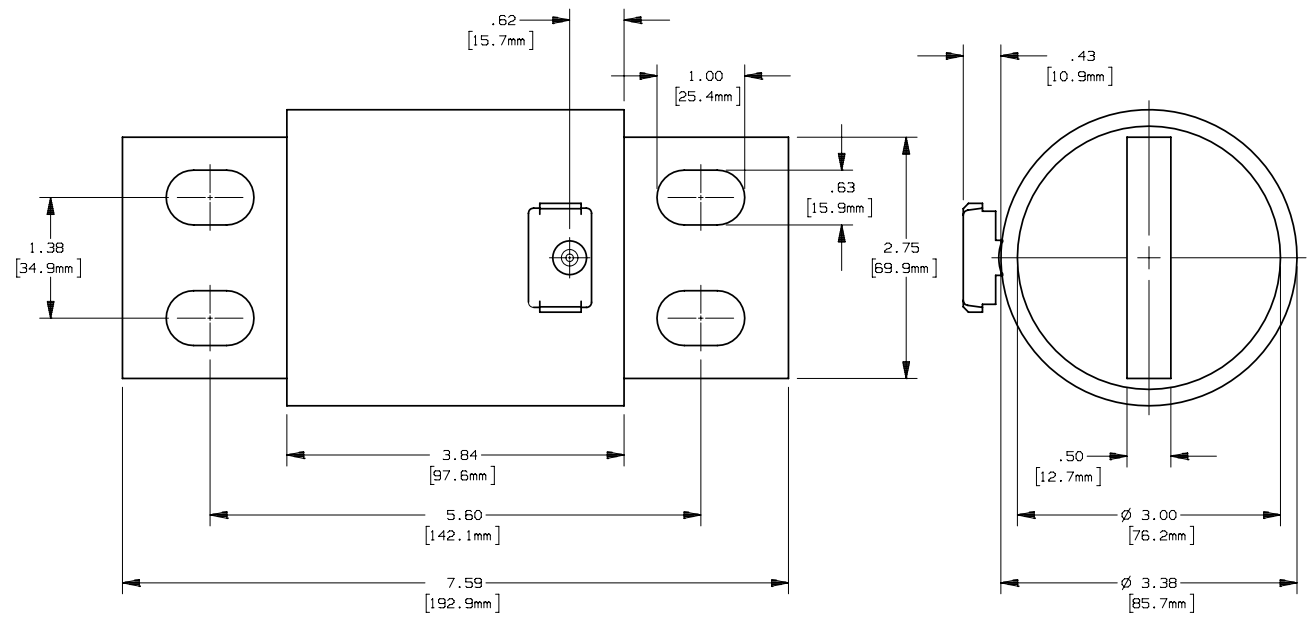


REV	DATE	ECO	DESCRIPTION	BY	CK	APP
A	12-8-03	NA	OUTSIDE DIA. OF TUBE WAS 3.50	LDB	NA	NA



MERSEN USA NEWBURYPORT-MA, LLC
 374 MERRIMAC STREET
 NEWBURYPORT, MA 01950

A70P(900-1000)-4TA

OUTLINE DIMENSIONS
 NOT TO BE USED FOR PRODUCTION

FORM 101

900-1000A 700V

18318

PRODUCT MANAGER

DESIGN ENGINEER

SIGN:

SIGN:

DATE:

DATE: