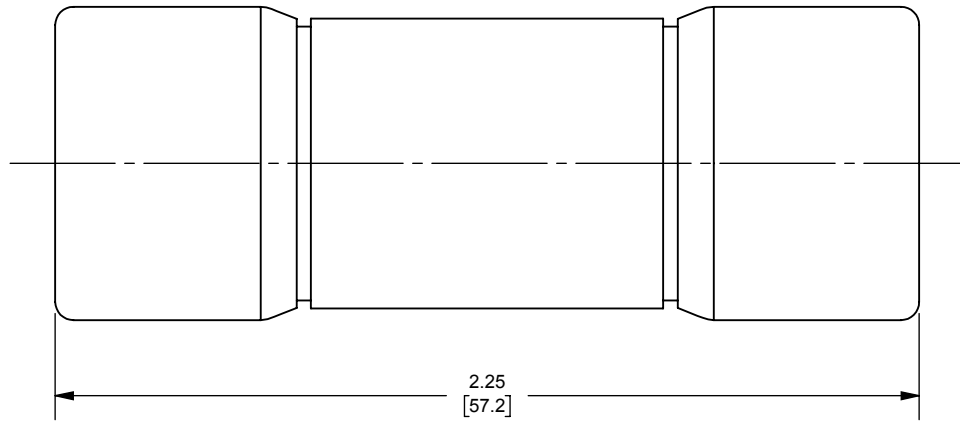
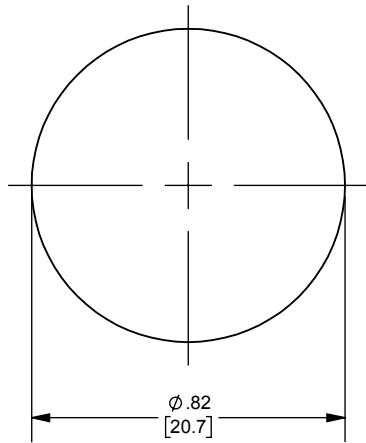


REV.	DATE	ECO	DESCRIPTION	BY	CK	APP
D	1/11/19	N/A	ADDED AJT(1-30)N IN TITLE BLOCK	GDR	N/A	N/A



DIMENSIONS IN [] ARE MILLIMETERS



MERSEN USA NEWBURYPORT-MA, LLC
374 MERRIMAC STREET
NEWBURYPORT, MA 01950

PRODUCT MANAGER

SIGN: B.KIRKORIAN

DATE: 1/14/19

DESIGN ENGINEER

SIGN: R.BURGE

DATE: 1/14/19

AJT(1-30)
AJT(1-30)N
CLASS J TIME DELAY

1-30A 600V

OUTLINE DIMENSIONS
NOT TO BE USED FOR PRODUCTION

17934