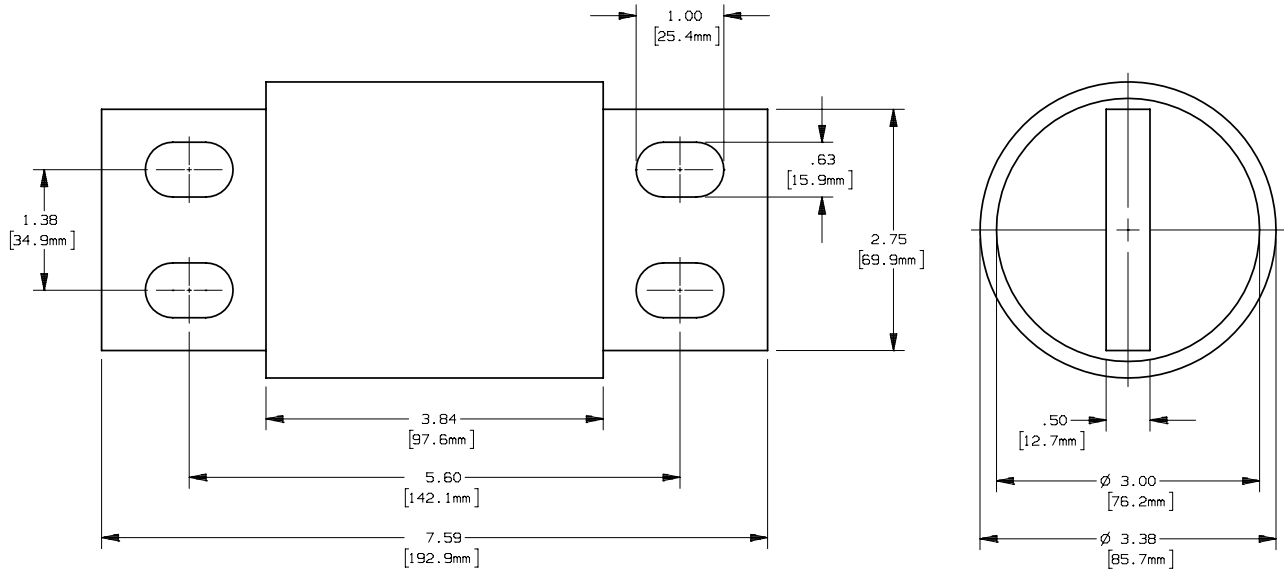


REV	DATE	ECO	DESCRIPTION	BY	CK	APP
C	12-8-03	NA	OUTSIDE DIA. OF TUBE WAS 3.50	LDB	NA	NA



MERSEN USA NEWBURYPORT-MA, LLC
 374 MERRIMAC STREET
 NEWBURYPORT, MA 01950

A70P(900-1000)-4

FORM 101

700-1000A 700V

OUTLINE DIMENSIONS
 NOT TO BE USED FOR PRODUCTION

16479

PRODUCT MANAGER
 SIGN:
 DATE:

DESIGN ENGINEER
 SIGN:
 DATE: