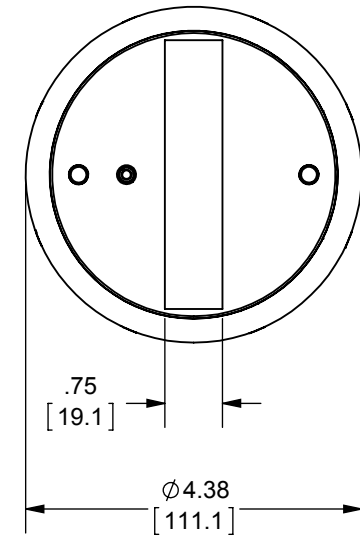
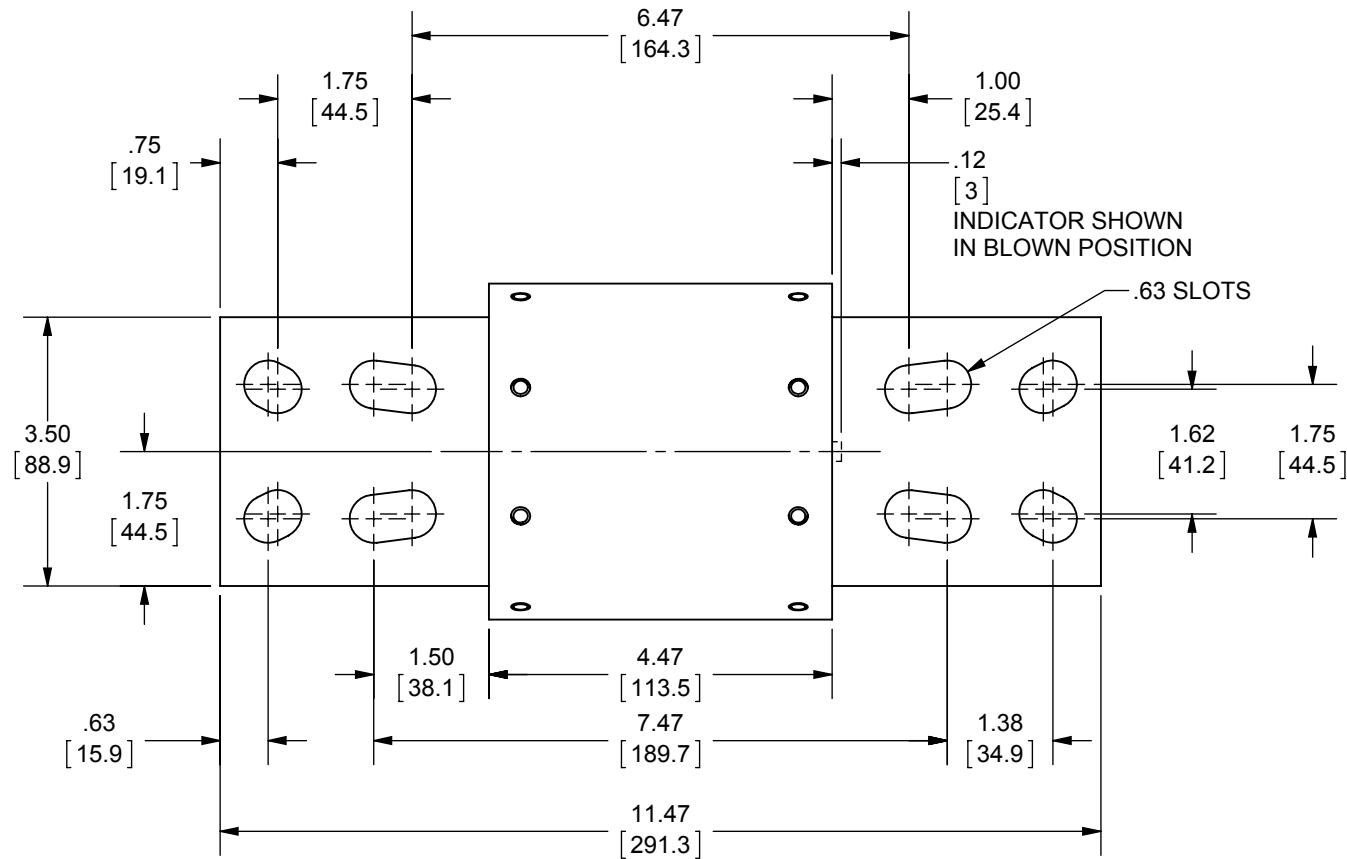


REV.	DATE	ECO	DESCRIPTION	BY	CK	APP
F	10/25/11	N/A	REDRAWN; ADD TI INFORMATION TO OUTLINE DWG	GDR	N/A	N/A



DIMENSIONS IN [] ARE MILLIMETERS



MERSEN USA NEWBURYPORT-MA, LLC
374 MERRIMAC STREET
NEWBURYPORT, MA 01950

A100P1200-4TI

FORM 101

1200A 700V

OUTLINE DIMENSIONS
NOT TO BE USED FOR PRODUCTION

16349

PRODUCT MANAGER

DESIGN ENGINEER

SIGN:

SIGN:

DATE:

DATE: