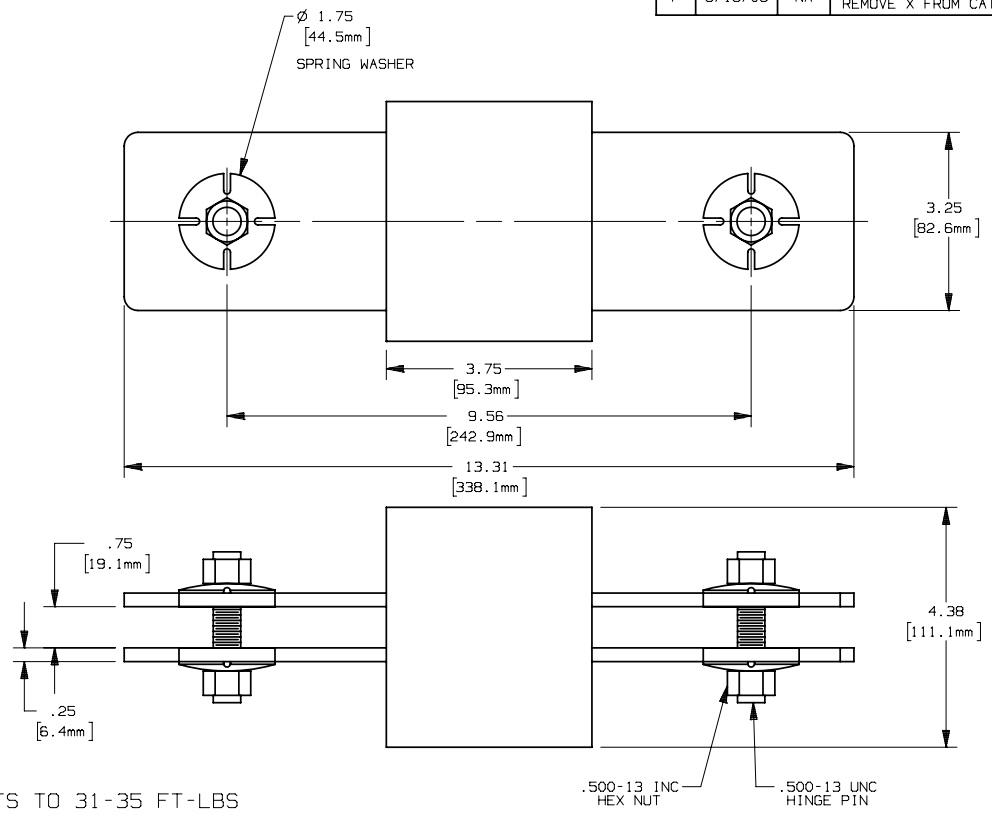


REV	DATE	ECO	DESCRIPTION	BY	CK	APP
F	5/16/05	NA	ADDED TORQUE NOTE REMOVE X FROM CATALOG NUMBER	ELO	NA	NA



TORQUE NUTS TO 31-35 FT-LBS

 MERSEN USA NEWBURYPORT-MA, LLC 374 MERRIMAC STREET NEWBURYPORT, MA 01950		A6Y(1800,2000)-4 FORM 600 1800-2000A 600V	OUTLINE DIMENSIONS NOT TO BE USED FOR PRODUCTION 13000
PRODUCT MANAGER SIGN: DATE:	DESIGN ENGINEER SIGN: DATE:		