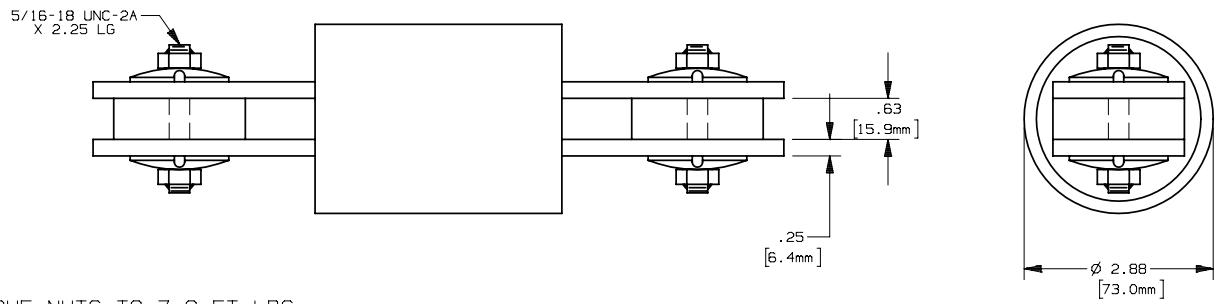
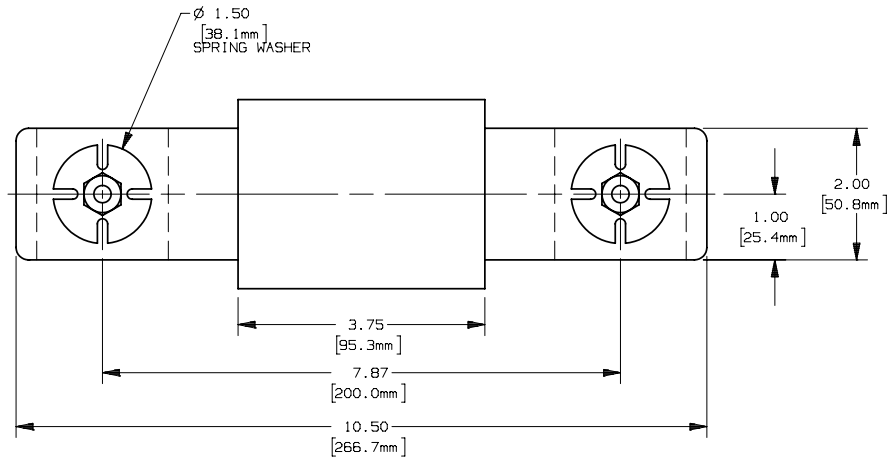



REV	DATE	ECO	DESCRIPTION	BY	CK	APP
F	5/16/05	NA	ADDED TORQUE NOTE	ELO	NA	NA



TORQUE NUTS TO 7-8 FT-LBS

 MERSEN USA NEWBURYPORT-MA, LLC 374 MERRIMAC STREET NEWBURYPORT, MA 01950		A6Y(650-1200)-4  FORM 600  650-1200A 600V	OUTLINE DIMENSIONS NOT TO BE USED FOR PRODUCTION
			12993
PRODUCT MANAGER  SIGN: DATE:	DESIGN ENGINEER  SIGN: DATE:		