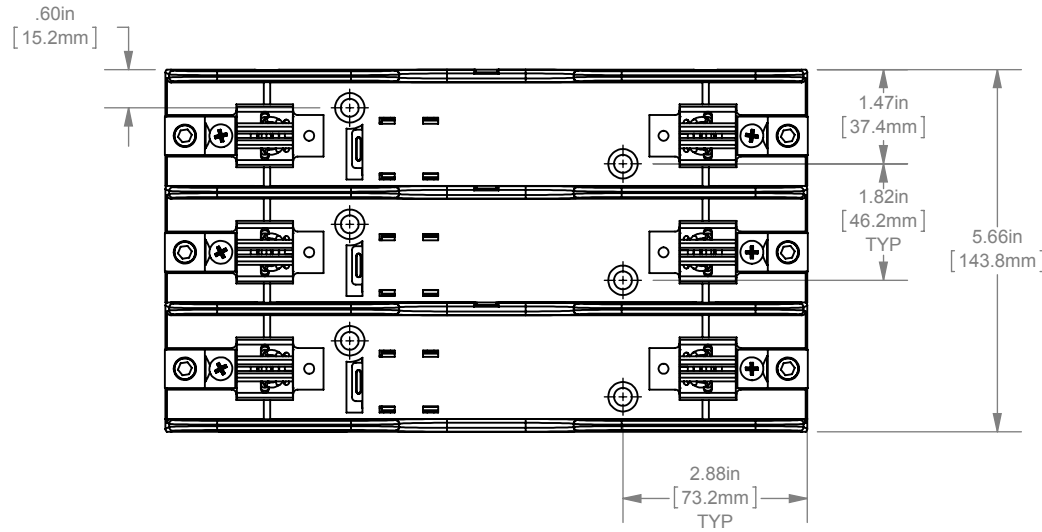
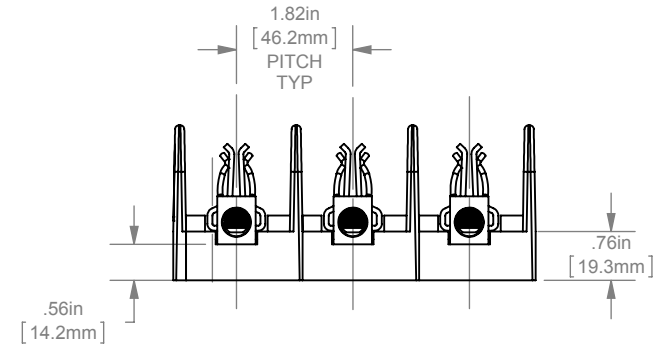
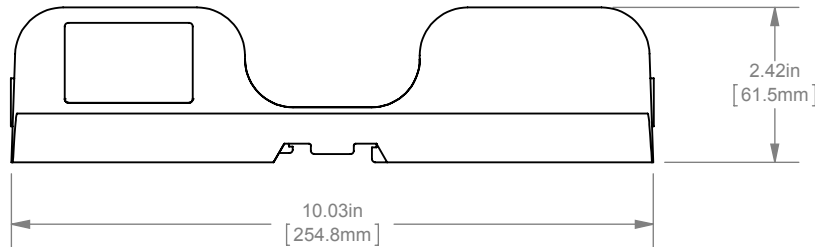


REV.	DATE	ECO	DESCRIPTION	BY	CK	APP
F	1/16/2014	N/A	REDRAWN IN SOLIDWORKS	GDR	N/A	N/A



NOTES: UNLESS OTHERWISE SPECIFIED

1. MATERIAL COMPOSITION AND RATING: PHENOLIC-150°C RTI
2. P/N 61008(R) USES SLOTTED SET SCREW. P/N 61038(R) USES HEX SET SCREW.
3. ADD "R" TO P/N FOR CLASS R.
4. RATING: 100A-600V SPRF 3 POLE BOX CONNECTOR



61038R	200K	R	120	60/75	CU-AL	E52283	IZLT	LR32169
61038	10K	H/K	120	60/75	CU-AL			
61008R	200K	R	50	60/75	CU			
61008	10K	H/K	50	60/75	CU			
P/N	RMS SYM RATING	FUSE CLASS	TORQUE (IN-LBS)	°C	WIRE TYPE	FILE NO.	GUIDE NO.	REPORT NO.
						UL		CSA

DIMENSIONS IN [] ARE MILLIMETERS



MERSEN USA NEWBURYPORT-MA, LLC
374 MERRIMAC STREET
NEWBURYPORT, MA 01950

61008(R), 61038(R)

FUSE BLOCK, 3P CLASS HKR

100A 600V

OUTLINE DIMENSIONS
NOT TO BE USED FOR PRODUCTION

05B0226

PRODUCT MANAGER

SIGN:

DATE:

DESIGN ENGINEER

SIGN:

DATE: (SEE ECO)