

Modulostar® CUSCC

FUSE HOLDERS, FUSE BASES AND SUPPORTS

UL/CSA FUSE HOLDERS



Mersen’s innovative Modulostar CUSCC fuse holders are finger-safe under IEC standards to an IP20 grade of protection, including fuse changing (with the flick of a finger). Modulostar CUSCC fuse holders are available in 1, 2, 3 or 4 poles, with or without visual blown fuse indicator, in UL + IEC version. Multi-pole units can also be field assembled by ordering pin-ties assembly kit. Made of tough and durable thermoplastic or thermoset material. Recommended for use with Mersen Class CC fuse-links: ATDR, ATMR, and ATQR.

TECHNICAL DATA OVERVIEW

| | |
|-----------------|---|
| UL ratings AC | 600 VAC, 30 A, 200 kA |
| UL ratings DC | 600 VDC, 30 A, 100 kA |
| Amper (A) | 30 A |
| SCCR | 200kAAC |
| Mounting | Installation on to DIN rails to EN 60715 |
| Product Size | For Class CC fuses |
| Number of poles | 1-pole, 2-poles, 3-poles, 4-poles, 1+N, 3+N |

FEATURES & BENEFITS

- Modular design
- Compact design for space saving
- DIN rail mounting
- Degree of protection: IP20
- Finger safe
- Easy access to the fuse
- Lockable without accessory
- Sealable in closed & open position
- Optional visual blown fuse indicator
- Multi-pole assembly kit available
- Plastic material UL94V2 mini
- Plastic material R22HL2 for railway application
- Flame retardant materials with glow wire flammability index to 960°C

APPLICATIONS

- All circuits up to 600V for protection of motors, transformers, low voltage distribution, control circuits, drive protection
- Non-load operation

STANDARDS

- UL listed UL4248
- CSA Certified C22.2
- RoHS, Reach compliant



PRODUCT RANGE



CUSCC1

Modulostar™ CUSCC without indicator

| Catalog number | Item number | Number of poles/phases | Design | Package | Weight |
|----------------|-------------|------------------------|---------------------------------------|---------|---------|
| CUSCC1 | N1062796 | 1 | CUSCC single pole | 12 | 45 g |
| CUSCC1N | J1062792 | 1 + N | CUSCC single pole + neutral conductor | 6 | 95 g |
| CUSCC2 | K1062793 | 2 | CUSCC double pole | 6 | 92 g |
| CUSCC3 | G1062790 | 3 | CUSCC triple pole | 4 | 0.14 kg |
| CUSCC3N | C1062786 | 3 + N | CUSCC triple pole + neutral conductor | 3 | 0.19 kg |
| CUSCC4 | D1062787 | 4 | CUSCC quadruple pole | 3 | 0.19 kg |



CUSCC1I

Modulostar™ CUSCC with standard indicator

| Catalog number | Item number | Number of poles/phases | Design | Voltage limit for blown fuse indicator | Package | Weight |
|----------------|-------------|------------------------|---------------------------------------|---|---------|---------|
| CUSCC1I | P1062797 | 1 | CUSCC single pole | - | 12 | 46 g |
| CUSCC1NI | L1062794 | 1 + N | CUSCC single pole + neutral conductor | - | 6 | 95 g |
| CUSCC2I | M1062795 | 2 | CUSCC double pole | - | 6 | 93 g |
| CUSCC3I | H1062791 | 3 | CUSCC triple pole | - | 4 | 0.14 kg |
| CUSCC3NI | E1062788 | 3 + N | CUSCC triple pole + neutral conductor | - | 3 | 0.19 kg |
| CUSCC4I | F1062789 | 4 | CUSCC quadruple pole | - | 3 | 0.19 kg |
| - | on demand | - | Version with special indicator | Standard: 220V-700V AC/DC Very low: 20V-50V AC/DC Low: 50V-250V AC/DC | - | - |

TECHNICAL DATA

| | CUSCC without indicator | CUSCC with indicator |
|--|---|----------------------|
| Size | Class CC fuse-links | Class CC fuse-links |
| Number of poles/phases | 1, 1+N, 2, 3, 3+N, 4 | 1, 1+N, 2, 3, 3+N, 4 |
| Conventional free air thermal current with fuse links I_{th} | 30 A | 30 A |
| Degree of protection | IP 20 | IP 20 |
| Voltage limit for blown fuse indicator | - | 220 to 700V AC/DC |
| Indication System | without indicator | with indicator |
| Operating temperature | -40°C to 70°C with carrier operation -50°C to 90°C without carrier operation | |
| Storage temperature | -40°C to 70°C | -40°C to 70°C |
| Connection | Max. tightening torque: 2Nm (17.7lbs.-in) Rigid / Multistrand wire = 1-16mm ² (18-6AWG) Max. 2x6mm ² PZ2 or flat 5.5x1mm screw drivers recommended (max. diameter 6mm) | |

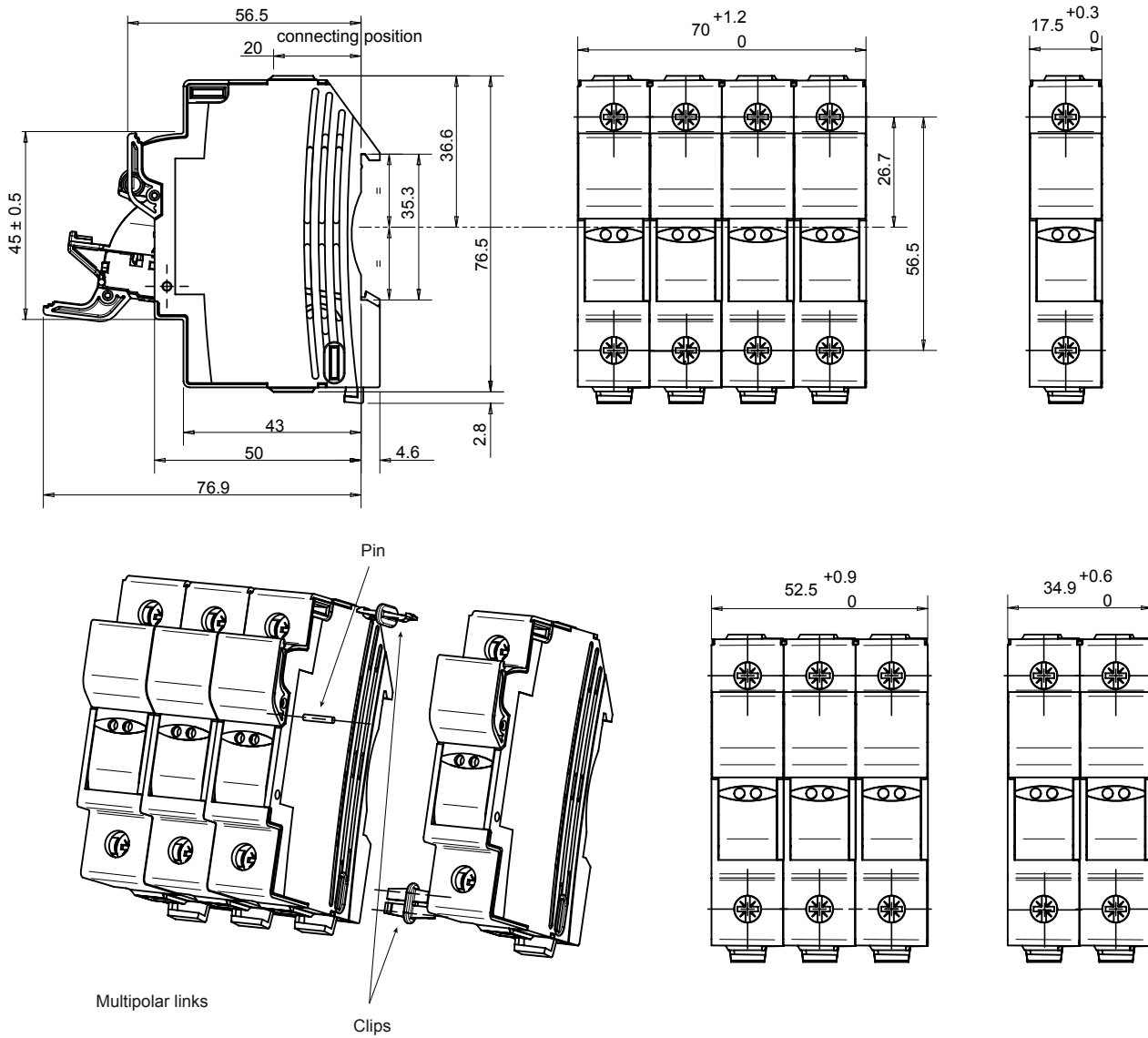
SPECIFIC USAGE CONDITIONS

| Ambient temperature | -40° to 20°C | 30°C | 40°C | 50°C | 60°C | 70°C | 80°C | 90°C |
|---------------------------|--------------|------|------|------|------|------|------|------|
| Derating factor (I_e) | 1 | 1 | 1 | 0.92 | 0.83 | 0.73 | 0.62 | 0.48 |
| Humidity | 95% | 90% | 80% | 50% | - | - | - | - |
| Dampness derating | 1 | 0.95 | 0.90 | - | - | - | - | - |

| | | |
|---|--------|------|
| No of poles (side by side) | 1 to 3 | >= 4 |
| Derating factor of current (I_{th}) | 1 | 0.9 |

DIMENSIONS

MODULOSTAR® CUSCC fuse-holders for cylindrical fuse-links class 10x38mm



Dimensions in mm

ACCESSORIES



CMS810PAK

Kit for multi phase connection

| Catalog number | Item number | Features | Package | Weight |
|----------------|-------------|---|---------|--------|
| CMS810PAK | Z233725 | Links for connection of multipole units | 12 | 0.5 g |

ACCESSORIES



LOCK

Locking devices

| Catalog number | Item number | Features | Package | Weight |
|----------------|-------------|----------|---------|---------|
| LOCK | M223525 | Padlock | 1 | 0.48 kg |



USBBC1

Power supply

| Catalog number | Application | Features | Package | Weight |
|----------------|--------------------|--------------------------------|---------|--------|
| USBBC1 | 115A / 1000V AC/DC | UL terminal up to 50mm / 1 AWG | 10 | 23 g |

Wiring bars / Insulated bus bars



USBB1PH25K12

| Catalog number | Application | Features | Package | Weight |
|--|---|--|---------|---------|
| Wiring bars / Insulated Busbars | | | | |
| USBB1PH25K12 | 1000V AC/DC IP20 Max current 100A | UL, 1-pol., Pin, 25mm ² , 12 modules, UL508 | 50 | 73 g |
| USBB2PH25K10 | IEC 690VAC/DC UL 600V AC/DC IP20 Max current 100A | UL, 2-pol., Pin, 25mm ² , 10 modules, UL508 | 50 | 0.13 kg |
| USBB3PH25K12 | IEC 690VAC/DC UL 600V AC/DC IP20 Max current 100A | UL, 3-pol., Pin, 25mm ² , 12 modules, UL508 | 50 | 0.20 kg |