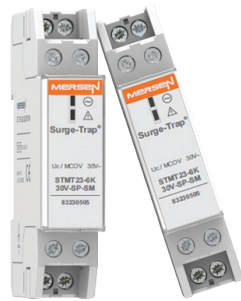


Surge-Trap® STMT23 Series

Surge Protection for Power Lines

SURGE PROTECTIVE DEVICE

LOW VOLTAGE SPD FOR AC/DC VOLTAGE CONTROL AND POWER APPLICATIONS



Mersen's Surge Trap STMT Series features low voltage surge protective devices suitable for both AC and DC voltage applications. With a slim design, these DIN-rail mount SPDs are ideal for limited space applications. The STMT23 Series is suitable for operating voltages from 12 to 230 VAC and 24-365 VDC, with optional dry contact feature for remote monitoring.

Technical Data Overview	
Surge Current Rating (I_{max})	6kA – 20kA
Nominal Discharge Current Rating (I_n)	3-10kA
Surge Capacity (I_{max})	6-20kA
Nominal Power Frequency	50-60 Hz
Mounting	35mm DIN-Rail
Wire Gauge Range	1,5 ... 6 mm ²
Torque	6.2 lbs-in (0,7 Nm)
Backup Fuse	IEC: 63A gG / UL: 30A CC (ATMR30)
Body Material and Format	PC+GF; V-0 - Slim Monobloc – 2 Poles
Degree of Protection	IP 20 (finger-safe)
Flammability	UL94 V-0
Operating Temperature	– 40°F (40°C) to + 176°F (80°C)
Visual Status Indicator	LED Green = Functional / Red = Replace
Remote Status Indicator	Form C Dry Contacts

FEATURES/BENEFITS

- Suitable for corresponding DC voltage applications.
- DIN-rail mountable, space saving “Slim Monobloc” format
- Visual (LED) end of life indicator
- Optional remote status indicator
- 2-year warranty

APPLICATIONS

- Industrial Control Panels
- Power Supplies protection
- Communication Systems
- Telecom & IT & Data Centers
- LED outdoor lighting
- Water treatment

APPROVALS/STANDARDS

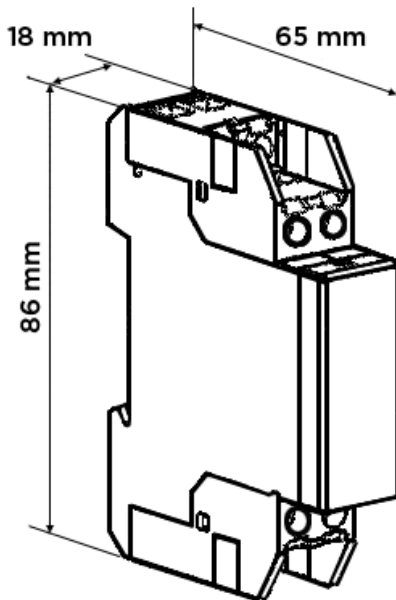
- IEC/EN 61643-11 - Type 2+3
- RoHS Compliant



* Agency information not applicable to DC ratings

Catalog Number	Reference Number	Nominal Voltage	Maximum Continuous Operating Voltage (MCOV)	I_{max} (8/20)	I_n (8/20)	Voltage Protection Level	U_p at I_n	Remote Monitoring?
83230500	STMT23-6K20V-SP-S	12 V	20 VAC	6 kA	3 kA	≤ 0.22 kV (L1-L2)	≤ 0.22 kV (L1-L2)	No
			25 VDC			≤ 0.67 kV (L1/L2-PE)	≤ 0.70 kV (L1/L2-PE)	
83230501	STMT23-6K20V-SP-SM	12 V	20 VAC	6 kA	3 kA	≤ 0.22 kV (L1-L2)	≤ 0.22 kV (L1-L2)	Yes
			25 VDC			≤ 0.67 kV (L1/L2-PE)	≤ 0.70 kV (L1/L2-PE)	
83230504	STMT23-6K30V-SP-S	24 V	30 VAC	6 kA	3 kA	≤ 0.26 kV (L1-L2)	≤ 0.22 kV (L1-L2)	No
			36 VDC			≤ 0.78 kV (L1/L2-PE)	≤ 0.70 kV (L1/L2-PE)	
83230505	STMT23-6K30V-SP-SM	24 V	30 VAC	6 kA	3 kA	≤ 0.26 kV (L1-L2)	≤ 0.22 kV (L1-L2)	Yes
			36 VDC			≤ 0.78 kV (L1/L2-PE)	≤ 0.70 kV (L1/L2-PE)	
83230506	STMT23-6K60V-SP-S	48 V	60 VAC	6 kA	3 kA	≤ 0.48 kV (L1-L2)	≤ 0.33 kV (L1-L2)	No
			77 VDC			≤ 0.93 kV (L1/L2-PE)	≤ 0.70 kV (L1/L2-PE)	
83230507	STMT23-6K60V-SP-SM	48 V	60 VAC	6 kA	3 kA	≤ 0.48 kV (L1-L2)	≤ 0.33 kV (L1-L2)	Yes
			77 VDC			≤ 0.93 kV (L1/L2-PE)	≤ 0.70 kV (L1/L2-PE)	
83230508	STMT23-6K75V-SP-S	60 V	75 VAC	6 kA	3 kA	≤ 0.48 kV (L1-L2)	≤ 0.50 kV (L1-L2)	No
			100 VDC			≤ 0.93 kV (L1/L2-PE)	≤ 0.90 kV (L1/L2-PE)	
83230509	STMT23-6K75V-SP-SM	60 V	75 VAC	6 kA	3 kA	≤ 0.48 kV (L1-L2)	≤ 0.50 kV (L1-L2)	Yes
			100 VDC			≤ 0.93 kV (L1/L2-PE)	≤ 0.90 kV (L1/L2-PE)	
83230502	STMT23-6K150V-SP-S	120 V	150 VAC	6 kA	3 kA	≤ 0.61 kV (L1-L2)	≤ 0.70 kV (L1-L2)	No
			200 VDC			≤ 1.03 kV (L1/L2-PE)	≤ 0.90 kV (L1/L2-PE)	
83230503	STMT23-6K150V-SP-SM	120 V	150 VAC	6 kA	3 kA	≤ 0.61 kV (L1-L2)	≤ 0.70 kV (L1-L2)	Yes
			200 VDC			≤ 1.03 kV (L1/L2-PE)	≤ 0.90 kV (L1/L2-PE)	
83230510	STMT23-20K275V-SP-S	240 V	275 VAC	20 kA	10 kA	≤ 0.96 kV (L1-L2)	≤ 1.40 kV (L1-L2)	No
			365 VDC			≤ 1.04 kV (L1/L2-PE)	≤ 1.40 kV (L1/L2-PE)	
83230511	STMT23-20K275V-SP-SM	240 V	275 VAC	20 kA	10 kA	≤ 0.96 kV (L1-L2)	≤ 1.40 kV (L1-L2)	Yes
			365 VDC			≤ 1.04 kV (L1/L2-PE)	≤ 1.40 kV (L1/L2-PE)	

DIMENSIONS



ELECTRICAL DIAGRAM

