

Microswitches for NH fuse-links

size 000 to 3

ACCESSORIES FOR FUSES & FUSE SYSTEMS

MICROSWITCHES



These microswitches MSNH2 are compatible with NH fuses from size 000 to size 3, with regular fuse body size, except Size 0.

They are not compatible and cannot be used with fuses with compact body size (NH00C, NH1C, NH2C, NH3C and with Size 0).

TECHNICAL DATA OVERVIEW

Size per Standard	000 to 3
-------------------	----------

FEATURES & BENEFITS

- Automatically resettable, these microswitch systems indicate fuse presence (PRES) and proper mounting
- In case of improper mounting or fuse melting, this status is indicated through the closing of terminals 1-4.
- If the detection of the fuse melting is linked to safety requirement for goods and people (not only monitoring), we recommend to use our solution of NH fuses with strikers or our electronic fuse monitoring modules.

Microswitches for NH fuse-links

size 000 to 3

PRODUCT RANGE



MSNH2-5B6PRES

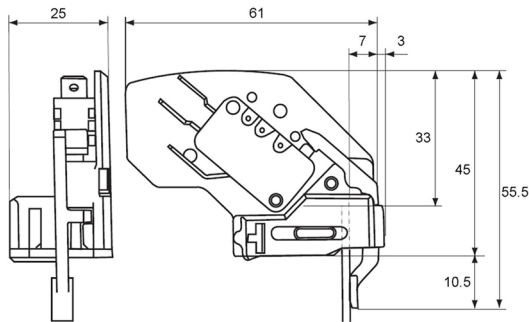
Size 000 to 3

Catalog number	Item number	Design	Package	Weight
MSNH2-5B6PRES	A1003214	6.3mm clips - automatically resettable	3	36 g
MSNH2-5B2PRES	M1002627	2.8mm clips - automatically resettable	3	36 g



MSNH2-5B2PRES

DIMENSIONS



Dimensions in mm