

Compact fuse holders CCR

FUSE HOLDERS, FUSE BASES AND SUPPORTS

IEC CYLINDRICAL FUSE HOLDERS



The innovative and comprehensive range of Mersen fuse-holders. CCR fuse-holders are finger-safe under IEC standards to an IP20 grade of protection, including fuse changing (with the flick of a finger). CCR fuse-holders are available in 1, 2, 3 poles, in IEC version in a very special compact design. Multi-pole units can also be field assembled by ordering pin-ties assembly kit. CCR range is made of tough and durable thermoplastic material.

TECHNICAL DATA OVERVIEW

Voltage Range AC	400 ... 500 VAC
Ampere Range (A)	25 ... 32 A
SCCR	CCR8 = 20 kA, CCR10 = 120 kA
Mounting	Installation on to DIN rails to EN 60719
Body Material	PA6.6 UL94V0
Product Size	For cylindrical fuse links 8x31 and 10x38
Number of Poles	1-pole, 2-pole, 3-pole, 1+N

FEATURES & BENEFITS

- Very compact design for small space applications
- Single pole + neutral conductor in one single module
- Finger safe
- Degree of protection: IP20
- DIN rail mounting
- Flame retardant materials with glow wire flammability index to 960°C

APPLICATIONS

- All circuits up to 500VAC for protection of motors, transformers, low voltage distribution, control circuits
- Non-load operation
- Special applications where small room is available:
 - street lighting connection boxes
 - street christmas light connecting boxes
 - swimming pool connecting boxes

STANDARDS

- IEC 60269-2
- IEC 60269-3 and 60947-3 for single pole models
- RoHS Compliant



Compact fuse holders CCR

PRODUCT RANGE



CCR81

CCR8 for fuse-links 8,5x31mm, 25A, 400V

Catalog number	Reference number	Number of poles/phases	Design	Standard compliance	Weight	Package
CCR81	C200769	1	CCR8 single pole	IEC60947-3 IEC60269-2 IEC60269-3 + NF	58 g	12
CCR81N	A218730	1 + N	CCR8 single pole + neutral conductor in one module	IEC60947-3 IEC60269-2 IEC60269-3 + NF	58 g	12
CCR82	V233721	2	CCR8 double pole	IEC60269-2	0.125 kg	6
CCR83	W233722	3	CCR8 triple pole	IEC60269-2	0.1887 kg	4
CCR810N	Z214635	-	neutral conductor	IEC60947-3 IEC60269-2 IEC60269-3 + NF	58 g	12



CCR101N

CCR10 for fuse-links 10x38mm, 32A, 500V

Catalog number	Reference number	Number of poles/phases	Design	Standard compliance	Weight	Package
CCR101	N218213	1	CCR10 single pole	IEC60947-3 IEC60269-2 IEC60269-3 + NF	58 g	12
CCR101N	H215655	1 + N	CCR10 single pole + neutral conductor in one module	IEC60947-3 IEC60269-2 IEC60269-3 + NF	62.9 g	12
CCR102	X233723	2	CCR10 double pole	IEC60269-2	0.1258 kg	6
CCR103	Y233724	3	CCR10 triple pole	IEC60269-3	0.1887 kg	4
CCR810N	Z214635	-	neutral conductor	IEC60947-3 IEC60269-2 IEC60269-3 + NF	58 g	12

TECHNICAL DATA

	CCR8	CCR10
Size	8 x 31	10 x 38
Number of poles/phases	1, 1+N, 2, 3	1, 1+N, 2, 3
Conventional free air thermal current with fuse links I_{th}	25 A	32 A
Power dissipation at I_{th}	2.5 W	3 W
Utilization category to IEC/EN 60947-3 $U_e = AC 400 V; I_e = 25 A$ $U_e = AC 500 V; I_e = 32 A$	AC 20 B -	- AC 20 B
Rated insulation voltage U_i	500 V	500 V
Rated operational voltage U_e	400 V	500 V
Rated impulse withstand voltage U_{imp}	6 kV	6 kV
Degree of protection	IP 20	IP 20
Rated short circuit making capacity $U_e = AC 400 V; I_e = 25 A$ $U_e = AC 500 V; I_e = 32 A$	20 kA -	- 120 kA
Standard cable terminal	Philips slot head screws rigid wire 1-10mm ² , multistranded wire 1-6mm ² , M = 2 Nm	Philips slot head screws rigid wire 1-10mm ² , multistranded wire 1-6mm ² , M = 2 Nm
Rated short circuit making capacity $U_e = AC 400 V; I_e = 25 A$ $U_e = AC 500 V; I_e = 32 A$	AC 20 B - 20 kA -	- AC 20 B - 120 kA

MERSEN reserves the right to change, update or correct, without notice, any information contained in this datasheet.

Compact fuse holders CCR

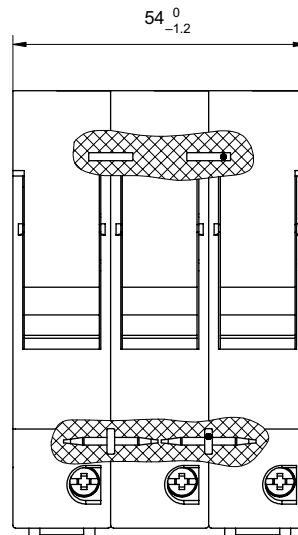
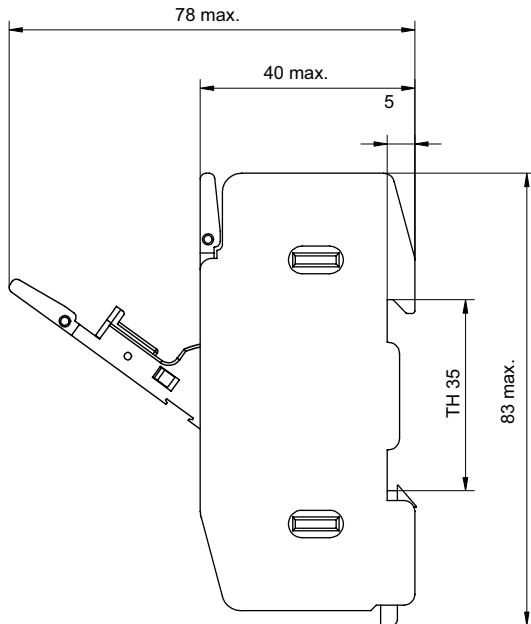
DIMENSIONS

Compact fuse-holder CCR for cylindrical fuse-links

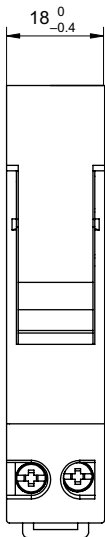
CCR 8 for fuse-links size 8x31mm, Ø 8mm

CCR 10 for fuse-links size 10x38mm, Ø 10mm

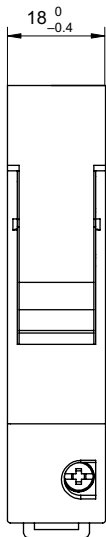
Neutral conductor CCR810N



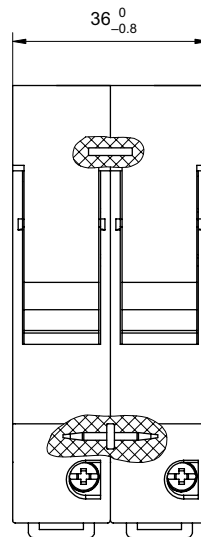
(CCR83/CCR103)



(CCR81N/CCR101N)



(CCR81/CCR101/CCR810N)



(CCR82/CCR102)

Dimensions in mm

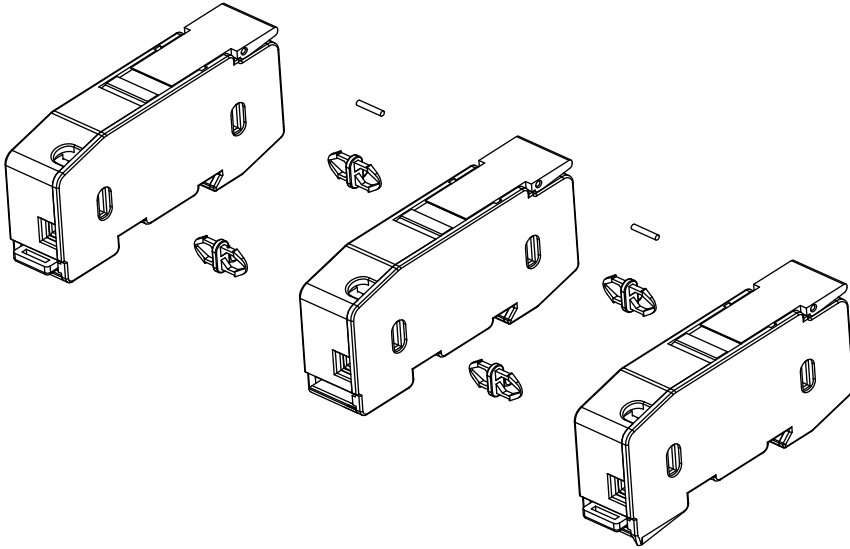
MERSEN reserves the right to change, update or correct, without notice, any information contained in this datasheet.

Compact fuse holders CCR

DIMENSIONS

Accessory: **CMS810PAK**

Links for connection of multi pole units **CCR8** and **CCR10**



Dimensions in mm

ACCESSORIES



CMS810PAK + fuse-holder

Kit for multi phase connection

Catalog number	Reference number	Description	Weight	Package
CMS810PAK	Z233725	Links for connection of multipole units	0.5 g	12