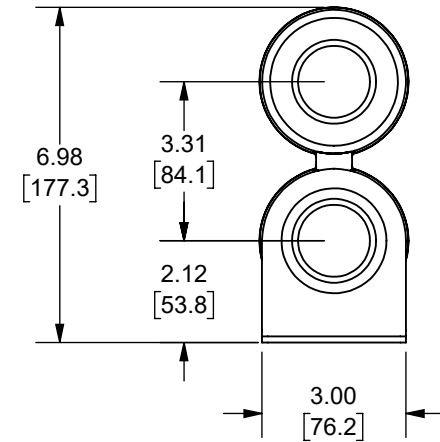
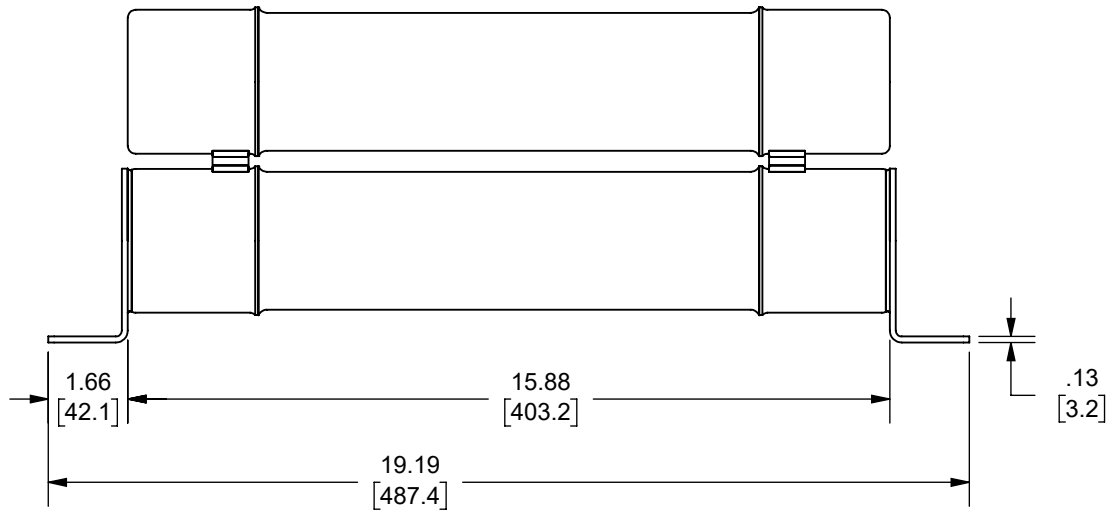
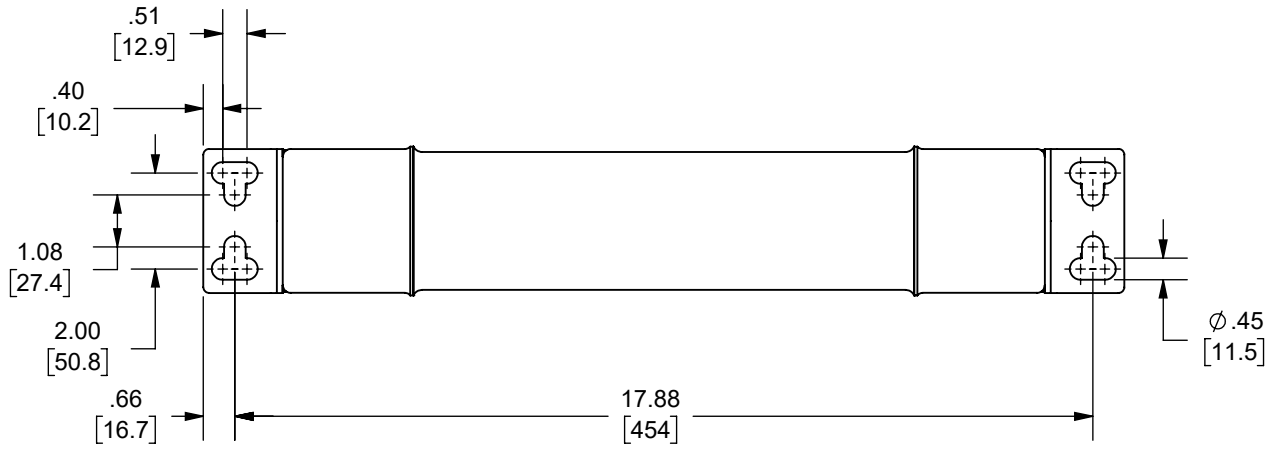


REV.	DATE	ECO	DESCRIPTION	BY	CK	APP
-	9/15/21	23519	INITIAL RELEASE	JRB	N/A	N/A



DIMENSIONS IN [] ARE MILLIMETERS



MERSEN USA NEWBURYPORT-MA, LLC
374 MERRIMAC STREET
NEWBURYPORT, MA 01950

PRODUCT MANAGER

SIGN: B. BETTS

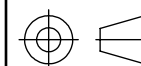
DATE: 9/15/21

DESIGN ENGINEER

SIGN: K. HORNE

DATE: 9/15/21

MEDIUM VOLTAGE
R-RATED BOLT-ON
A051B2DHRN-(18R & 24R)
18R & 24R



OUTLINE DIMENSIONS
NOT TO BE USED FOR
PRODUCTION

702372