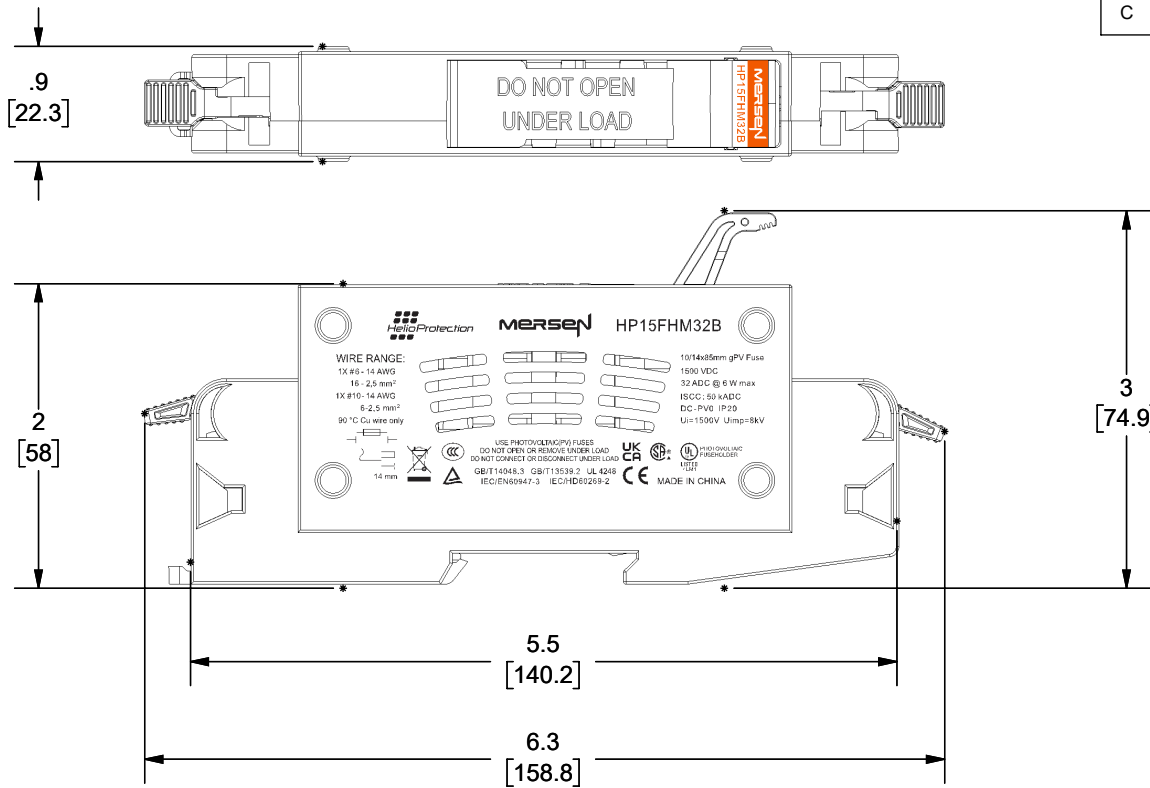


REV.	DATE	ECO	DESCRIPTION	BY	CK	APP
B	6/8/2022	16894	REDRAWN, UPDATED PATTERN INK AND UPDATED FORMAT	YF	ABT	N/A
C	6/22/2023	17143	ADDED UL PRODUCT IDENTITY	ABT	N/A	SEE ECO



OUTLINE DIMENSIONS NOT TO BE USED FOR PRODUCTION	DIMENSIONS IN [] ARE MILLIMETERS
--	--------------------------------------

<i>Approval stage / Etat d'approbation:</i> APPROUVÉ POUR FABRICATION / APPROVED FOR MANUFACTURING		Product Class:/ HELIO PROTECTION 10X85 CAGE CLAMP Product Type:	
<i>Initial ECO / ECO initiale:</i> ECO-16894-000		Product amp rating:/ 1500V Voltage rating:	
<i>Draw by / Dessiné par:</i> Alma Balcazar		Title / Titre: <h1 style="text-align: center;">OUTLINE</h1> <h2 style="text-align: center;">HP15FHM32B</h2>	
<i>Checked by / Vérifié par:</i> Luis ARMENTA		Drawing / de dessin: <h1 style="text-align: center;">702232</h1>	
Electrical Power 374 MERRIMAC STREET NEWBURYPORT, MA 01950		Page : 1/1 	
Éch / Scale : 1:1.5 Format / Size : A		Part / Article: SEE TABLE	

HP15FHM32B
 CATALOG
 NUMBER

Ce plan strictement confidentiel est la propriété exclusive de la société MERSEN sans l'autorisation écrite de laquelle il ne peut être ni reproduit, ni copié, ni communiqué à des tiers.
 This drawing and specifications there on is property of MERSEN and shall not be reproduced or copied or used in whole or in part as the base for manufacture or sale of item without written permission.