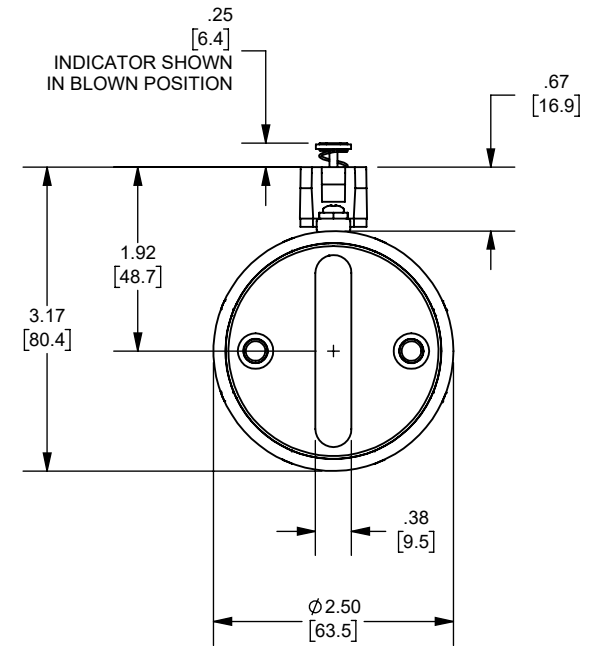
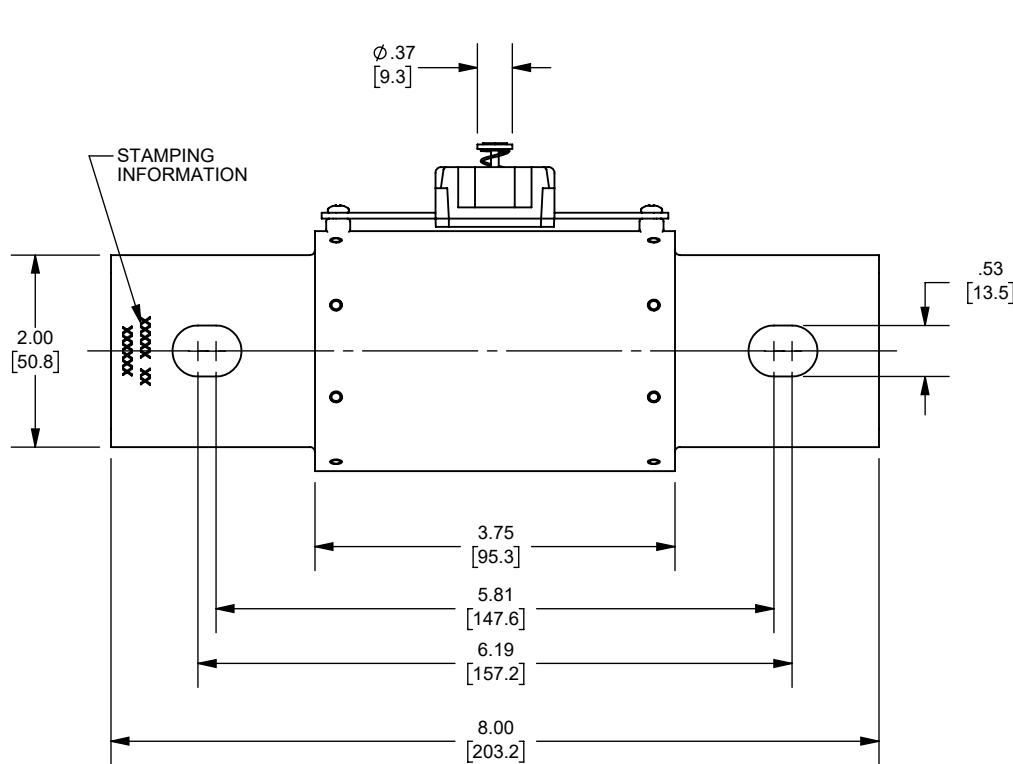


REV.	DATE	ECO	DESCRIPTION	BY	CK	APP
B	4/13/2023	17351	ADDED CAT. NOS. MDC10M(450-600)BEI AND UPDATED FORMAT	ABT	N/A	SEE ECO



OUTLINE DIMENSIONS
NOT TO BE USED FOR PRODUCTION

DIMENSIONS IN [] ARE MILLIMETERS

<i>Approval stage / Etat d'approbation:</i> APPROUVÉ POUR FABRICATION / APPROVED FOR MANUFACTURING		Product Class:/ Product Type: PHOTOVOLTAIC FUSE / DC DISTRIBUTION FUSE	
<i>Initial ECO / ECO intiale:</i> ECO-17351-000		Product amp rating:/ Voltage rating: 450A-600A 1000VDC	
<i>Draw by / Dessiné par:</i> Alma Balcazar		Title / Titre: <h1>OUTLINE</h1>	
Date : 4/21/2023		HP10J(450-600)EI, MDC10M(450-600)BEI	
<i>Checked by / Vérifié par:</i> Yadyra Fang		Drawing / de dessin: 702055	
Date : 4/21/2023		Rev : B	
Electrical Power 374 MERRIMAC STREET NEWBURYPORT, MA 01950		Part / Article: SEE TABLE	
Éch / Scale : 1:2 Format / Size : A		Page : 1/1	

MDC10M600BEI
MDC10M500BEI
MDC10M450BEI
HP10J600EI
HP10J500EI
HP10J450EI
CATALOG NUMBER



Ce plan strictement confidentiel est la propriété exclusive de la société MERSEN sans l'autorisation écrite de laquelle il ne peut être ni reproduit, ni copié, ni communiqué à des tiers.
 This drawing and specifications there on is property of MERSEN and shall not be reproduced or copied or used in whole or in part as the base for manufacture or sale of item without written permission.