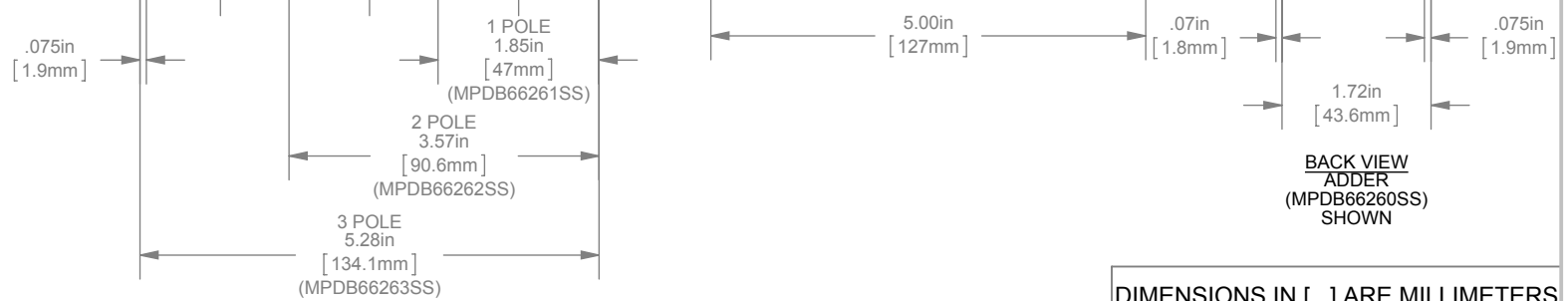
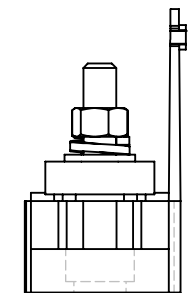
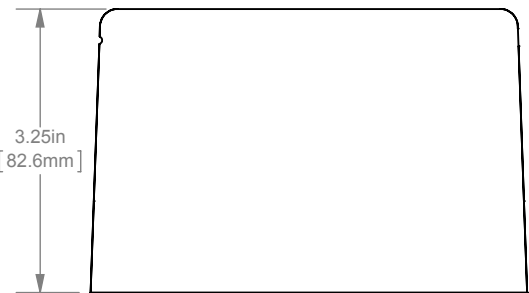
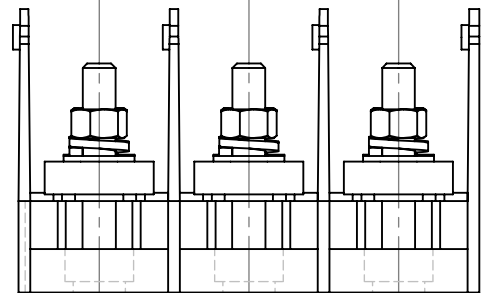
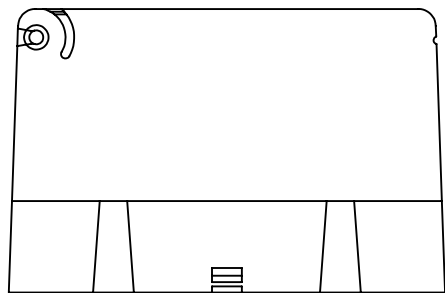
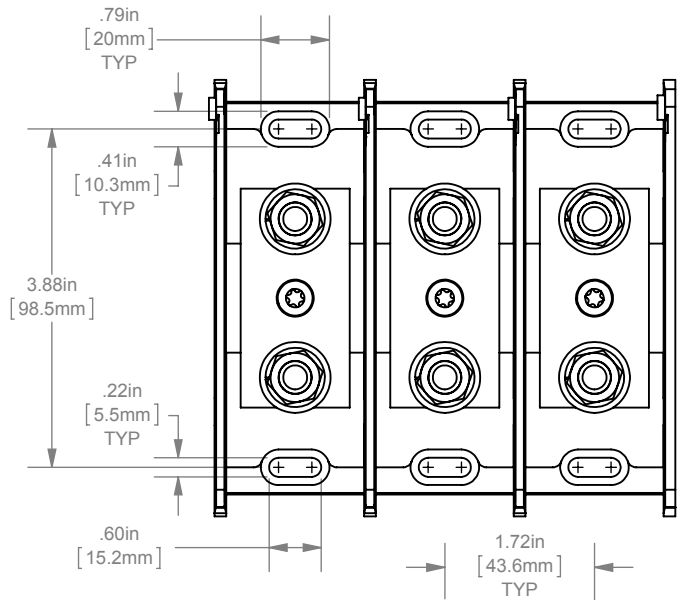


REV.	DATE	ECO	DESCRIPTION	BY	CK	APP
-	9/25/2013	N/A	INITIAL RELEASE	GDR	N/A	N/A



DIMENSIONS IN [] ARE MILLIMETERS



MERSEN USA NEWBURYPORT-MA, LLC
374 MERRIMAC STREET
NEWBURYPORT, MA 01950

MPDB(66260,66261, 66262, 66263)SS

PDB 1-3P, ADDER COPPER INTERMEDIATE

(1)3/8-16 X 1-1/8 STD X (1)3/8-16 X 1-1/8 STD

OUTLINE DIMENSIONS
NOT TO BE USED FOR PRODUCTION

702023

PRODUCT MANAGER
SIGN:
DATE:

DESIGN ENGINEER
SIGN:
DATE: (SEE ECO)