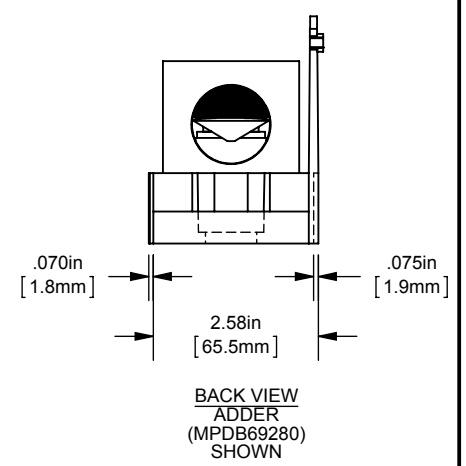
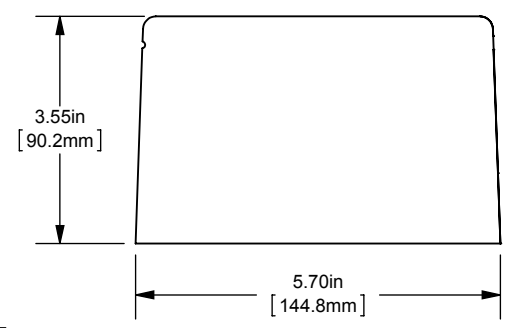
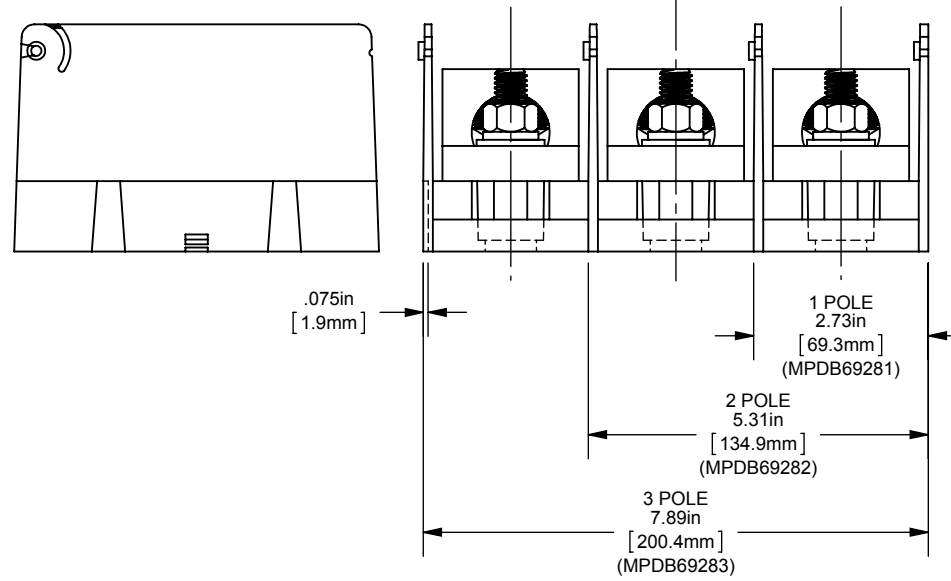
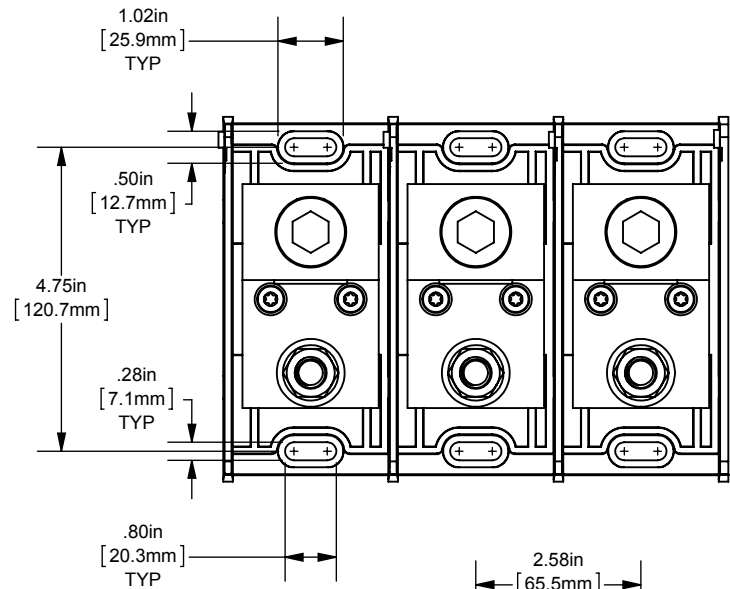


REV.	DATE	ECO	DESCRIPTION	BY	CK	APP
-	9/17/2013	N/A	INITIAL RELEASE	GDR	N/A	N/A



DIMENSIONS IN [ ] ARE MILLIMETERS



MERSEN USA NEWBURYPORT-MA, LLC  
374 MERRIMAC STREET  
NEWBURYPORT, MA 01950

MPDB(69280, 69281, 69282, 69283)

PDB 1-3P, ADDER AL LARGE UL1953

(1) 1000-250 X (1) 1/2-13 X 1-3/16 STUD

OUTLINE DIMENSIONS  
NOT TO BE USED FOR PRODUCTION

701999

**PRODUCT MANAGER**  
SIGN:  
DATE:

**DESIGN ENGINEER**  
SIGN:  
DATE: (SEE ECO)