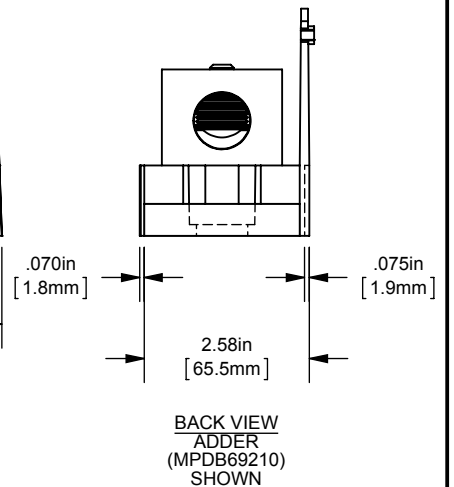
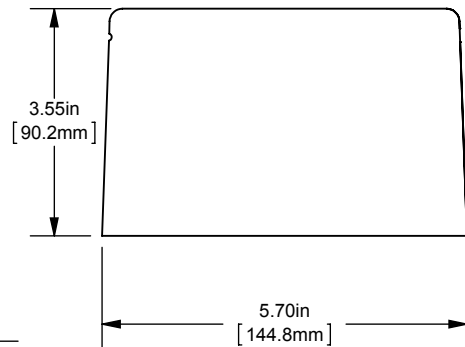
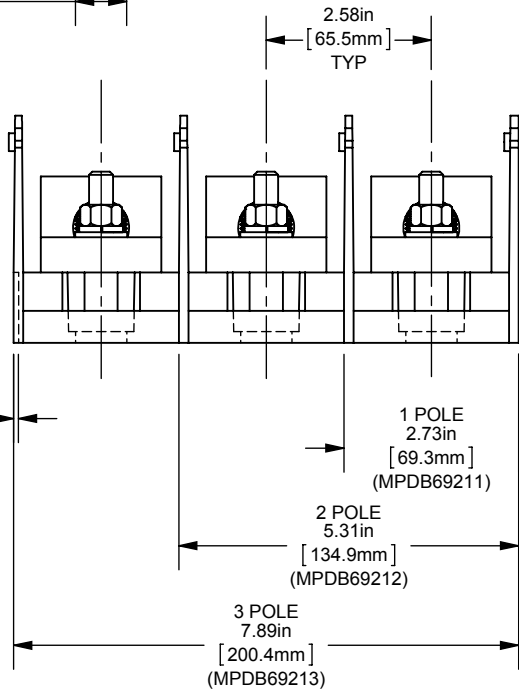
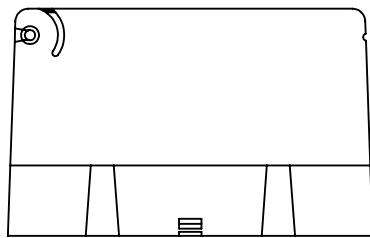
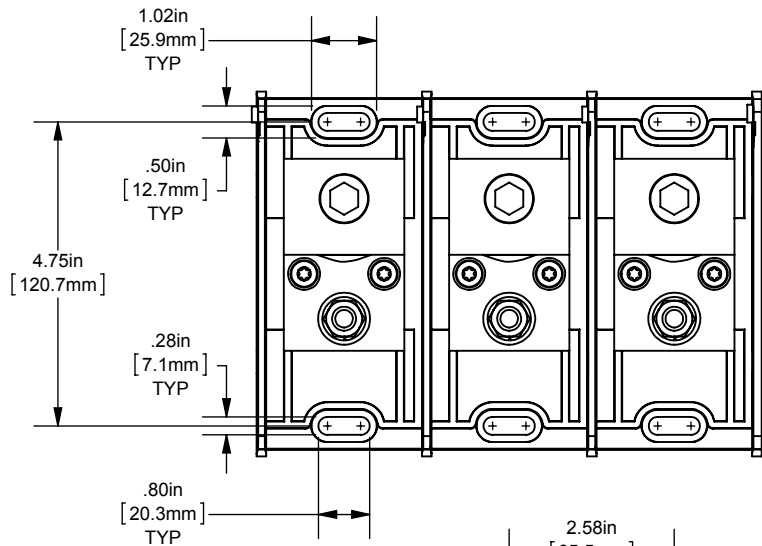


REV.	DATE	ECO	DESCRIPTION	BY	CK	APP
-	9/17/2013	N/A	INITIAL RELEASE	GDR	N/A	N/A



DIMENSIONS IN [] ARE MILLIMETERS



MERSEN USA NEWBURYPORT-MA, LLC
374 MERRIMAC STREET
NEWBURYPORT, MA 01950

MPDB(69210, 69211, 69212, 69213)

PDB 1-3P, ADDER AL LARGE UL1953

(1) 500-4 X (1) 3/8-16 X 1 STUD

OUTLINE DIMENSIONS
NOT TO BE USED FOR PRODUCTION

701998

PRODUCT MANAGER
SIGN:
DATE:

DESIGN ENGINEER
SIGN:
DATE: (SEE ECO)