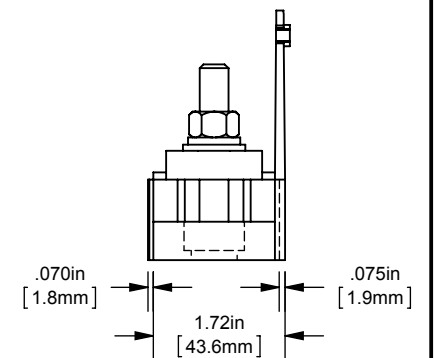
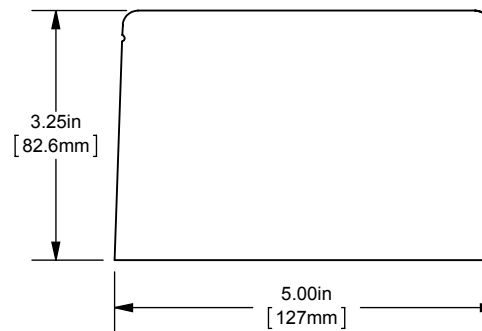
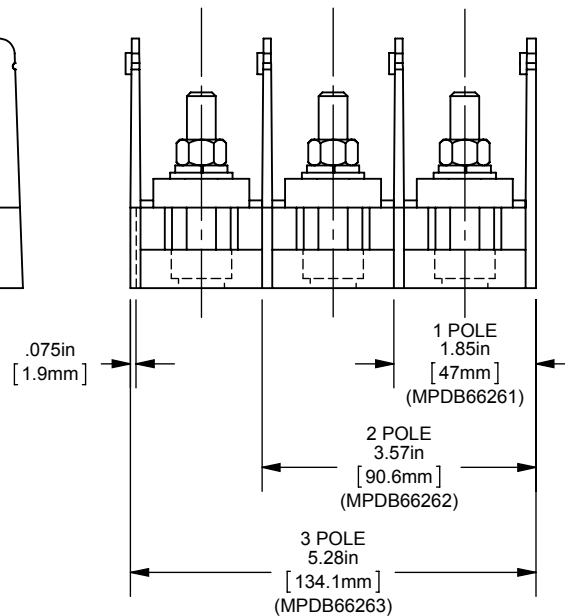
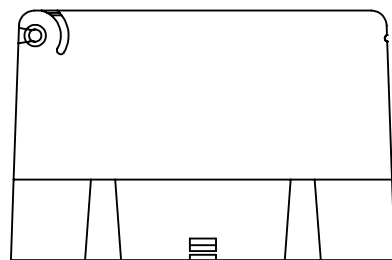
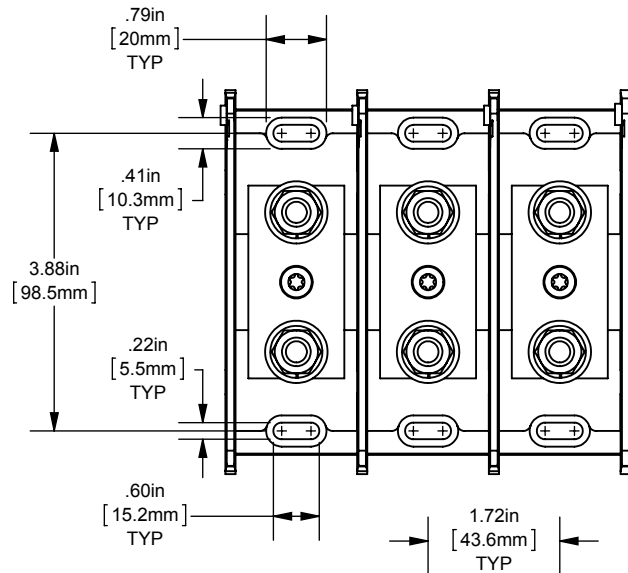


REV.	DATE	ECO	DESCRIPTION	BY	CK	APP
-	8/26/2013	N/A	INITIAL RELEASE	GDR	N/A	N/A



BACK VIEW
ADDER
(MPDB66260)
SHOWN

DIMENSIONS IN [] ARE MILLIMETERS



MERSEN USA NEWBURYPORT-MA, LLC
374 MERRIMAC STREET
NEWBURYPORT, MA 01950

MPDB(66260,66261,66262,66263)

PDB 1-3,ADDER COPPER INTERMEDIATE

(1)3/8-16 X 1-1/8 STD X (1)3/8-16 X 1-1/8 STD

OUTLINE DIMENSIONS
NOT TO BE USED FOR PRODUCTION

701972

PRODUCT MANAGER

SIGN:

DATE:

DESIGN ENGINEER

SIGN:

DATE: (SEE ECO)