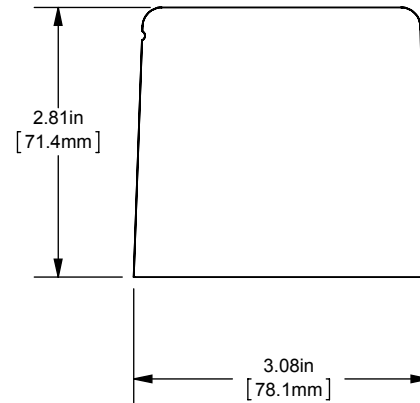
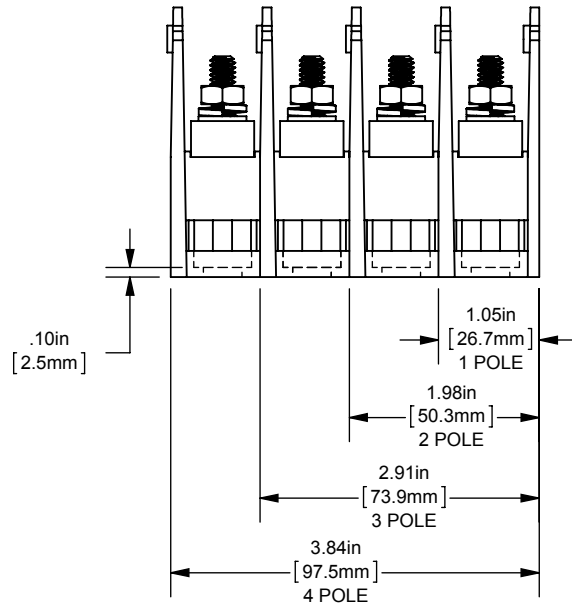
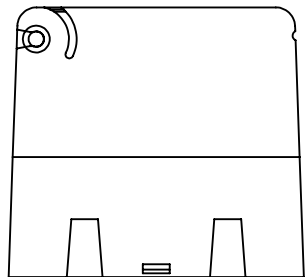
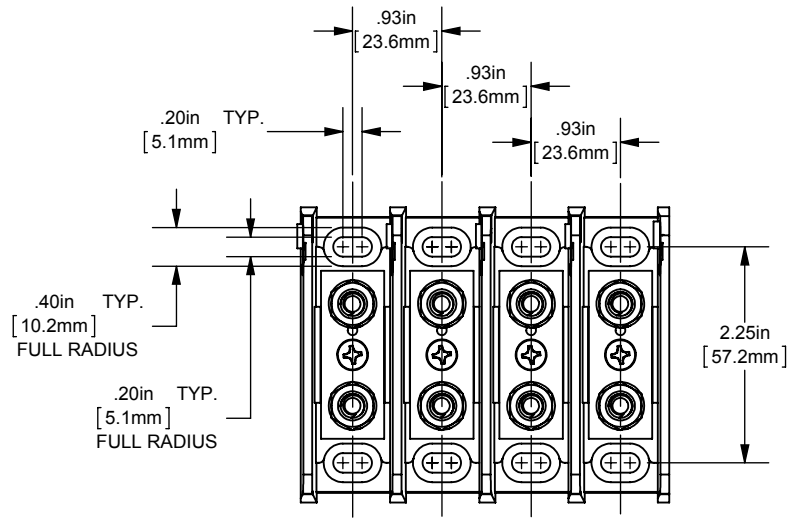
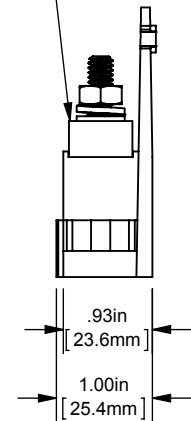


| REV. | DATE | ECO | DESCRIPTION | BY | CK | APP |
|------|-----------|-----|-----------------|-----|----|-----|
| - | 8/23/2013 | NA | INITIAL RELEASE | LDB | NA | NA |



REAR VIEW SHOWING ADDER



DIMENSIONS IN [] ARE MILLIMETERS



MERSEN USA NEWBURYPORT-MA, LLC
374 MERRIMAC STREET
NEWBURYPORT, MA 01950

MPDB6220(0,1,2,3,4)

PDB -ADDER, 1 TO 4 POLES

(1) 1/4-20 X 5/8 STUD EACH END COPPER

OUTLINE DIMENSIONS
NOT TO BE USED FOR PRODUCTION

701961

PRODUCT MANAGER

SIGN:

DATE:

DESIGN ENGINEER

SIGN:

DATE: