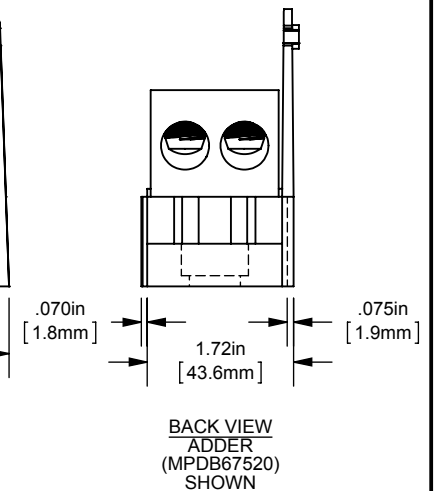
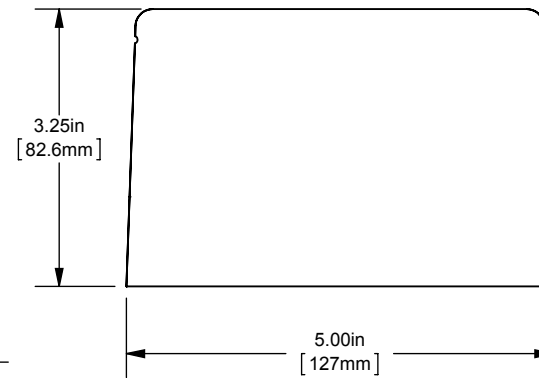
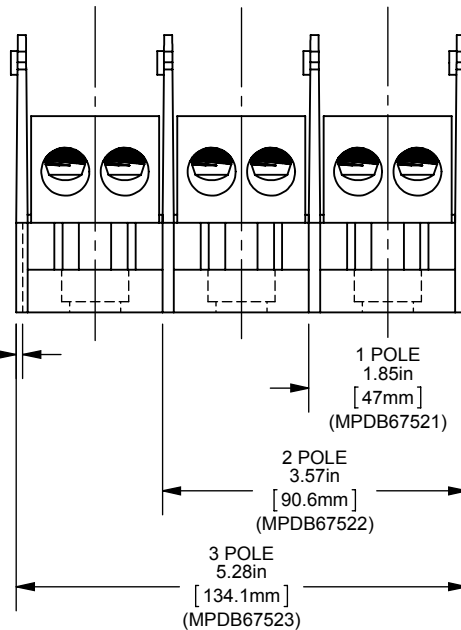
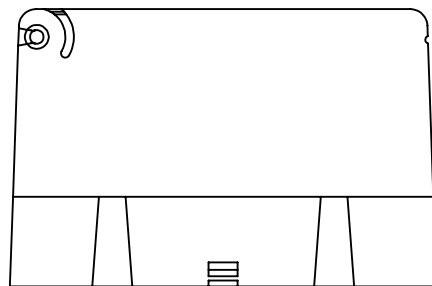
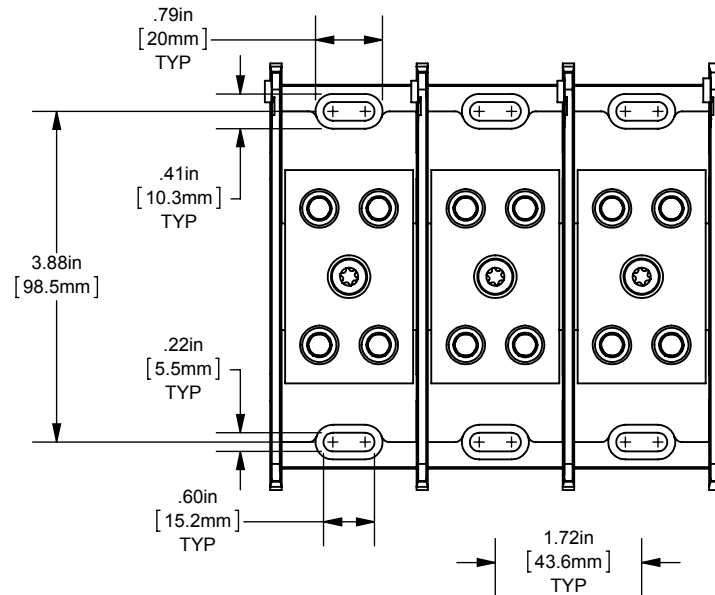


| REV. | DATE | ECO | DESCRIPTION | BY | CK | APP |
|------|-----------|-----|-----------------|-----|-----|-----|
| - | 8/26/2013 | N/A | INITIAL RELEASE | GDR | N/A | N/A |



DIMENSIONS IN [] ARE MILLIMETERS



MERSEN USA NEWBURYPORT-MA, LLC
374 MERRIMAC STREET
NEWBURYPORT, MA 01950

MPDB(67520,67521,67522,67523)

PDB 1-3,ADDER ALUMINUM INTERMEDIATE

(2)4/0-10 X (2)4/0-10

OUTLINE DIMENSIONS
NOT TO BE USED FOR PRODUCTION

701954

PRODUCT MANAGER

SIGN:

DATE:

DESIGN ENGINEER

SIGN:

DATE: (SEE ECO)