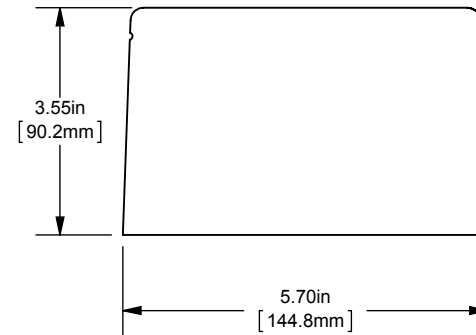
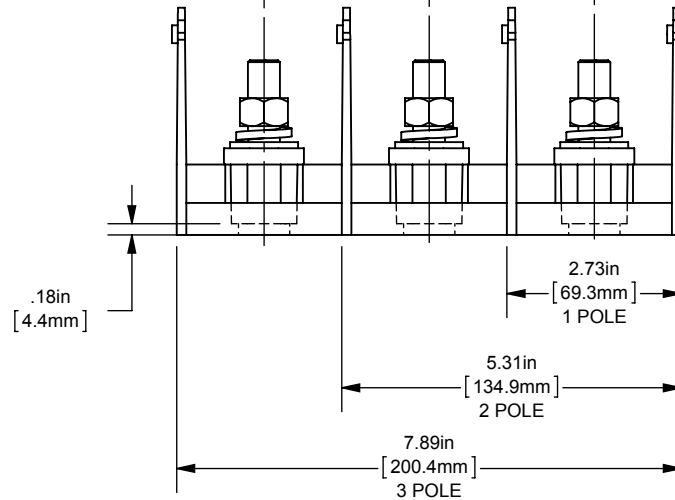
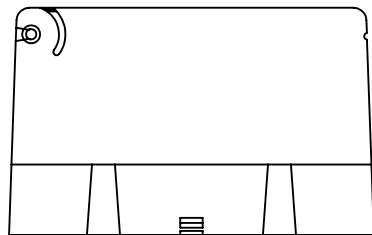
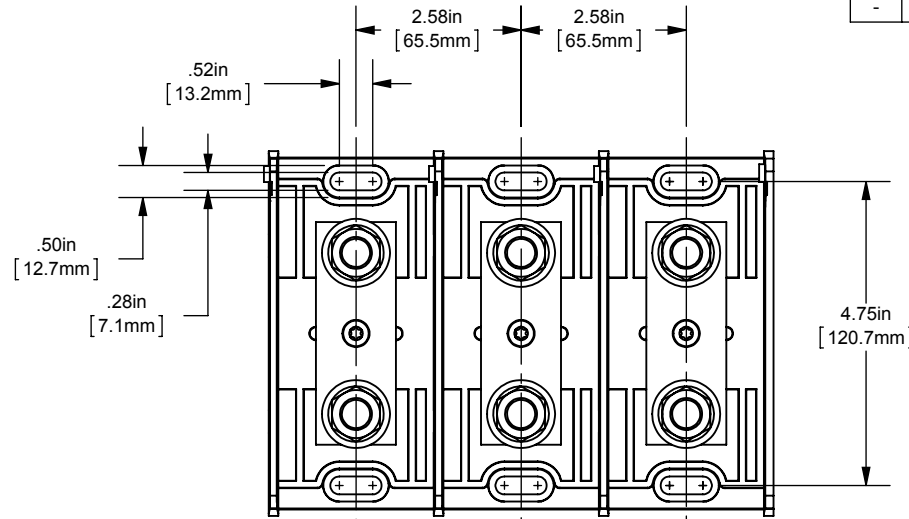
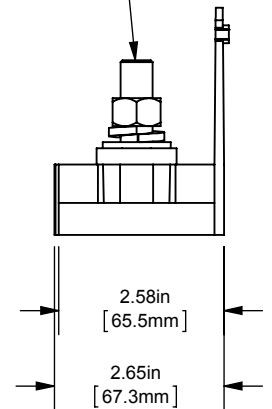


REV.	DATE	ECO	DESCRIPTION	BY	CK	APP
-	8/12/2013	NA	INITIAL RELEASE	LDB		NA



REAR VIEW
SHOWING ADDER



DIMENSIONS IN [] ARE MILLIMETERS



MERSEN USA NEWBURYPORT-MA, LLC
374 MERRIMAC STREET
NEWBURYPORT, MA 01950

MPDB6822(0, 1, 2, 3)

PDB- ADDER, 1 TO 3 POLE

(1) 1/2x1-3/8 X (1) 1/2x1-3/8 STUDS COPPER

OUTLINE DIMENSIONS
NOT TO BE USED FOR PRODUCTION

701915

PRODUCT MANAGER

SIGN:

DATE:

DESIGN ENGINEER

SIGN:

DATE: