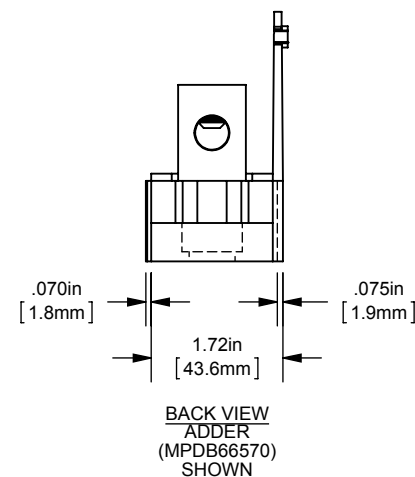
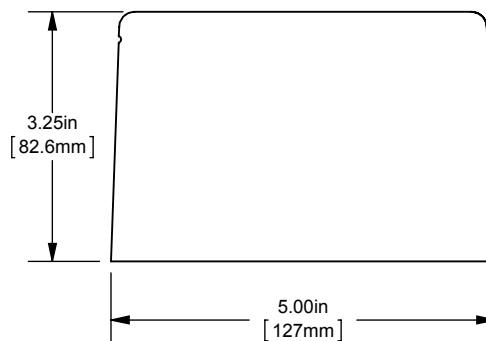
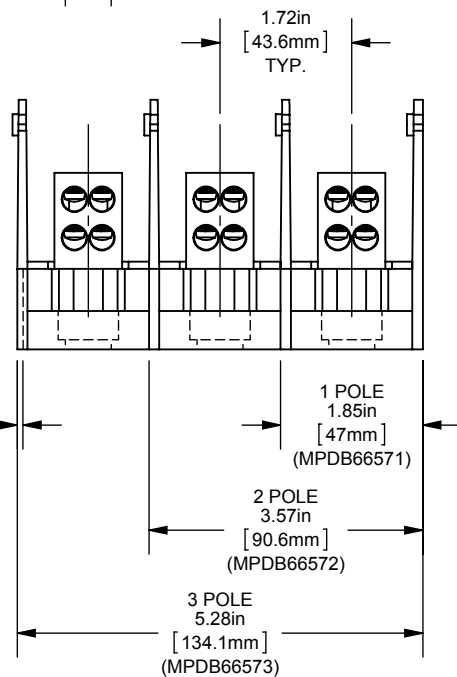
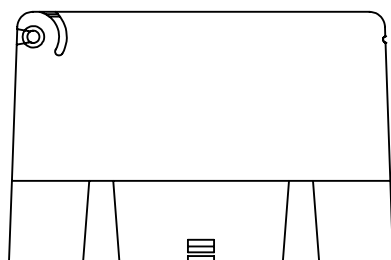
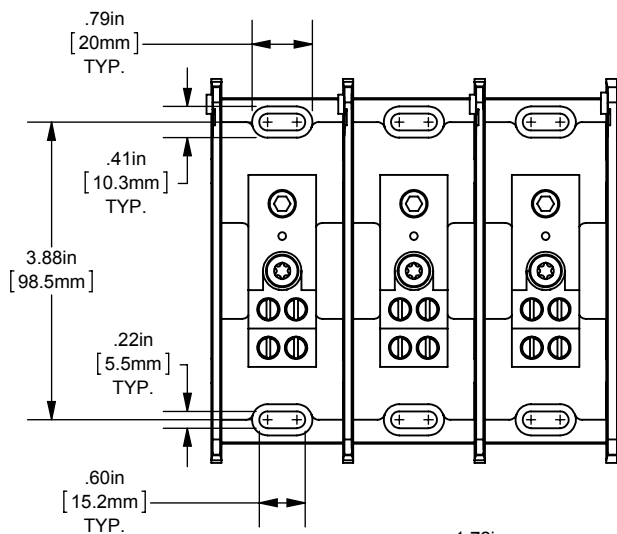


REV.	DATE	ECO	DESCRIPTION	BY	CK	APP
-	8/14/2013	N/A	INITIAL RELEASE	GDR	N/A	N/A



DIMENSIONS IN [] ARE MILLIMETERS



MERSEN USA NEWBURYPORT-MA, LLC
374 MERRIMAC STREET
NEWBURYPORT, MA 01950

MPDB(66570,66571,66572,66573)

OUTLINE DIMENSIONS
NOT TO BE USED FOR PRODUCTION

PRODUCT MANAGER

DESIGN ENGINEER

PDB 1-3P, ADDER COPPER INTERMEDIATE

SIGN:

SIGN:

DATE:

DATE: (SEE ECO)

(1) 2/0-14 X (4) 2-14

701911