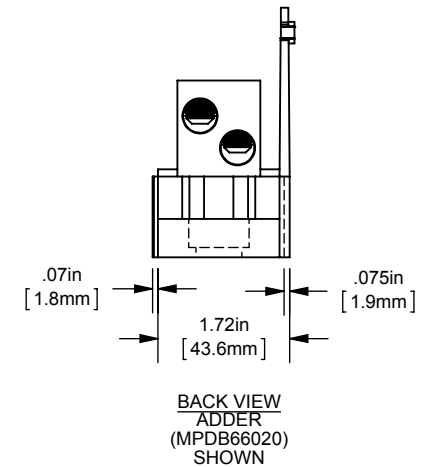
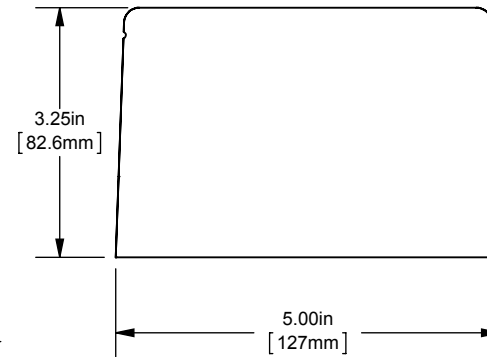
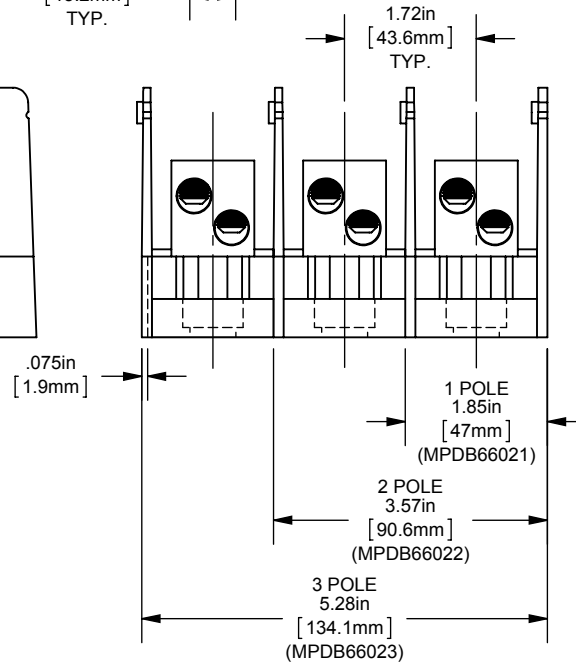
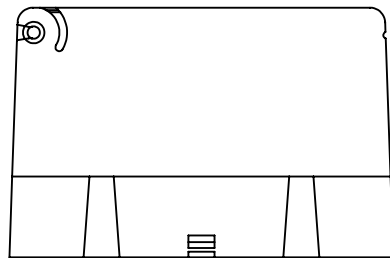
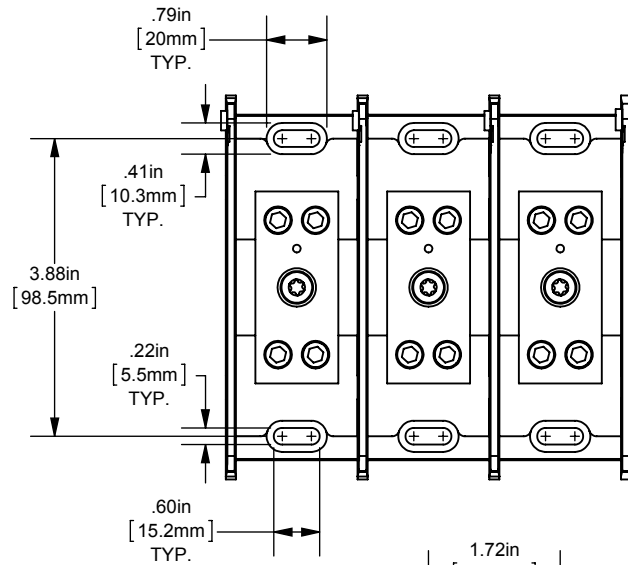


REV.	DATE	ECO	DESCRIPTION	BY	CK	APP
-	8/8/2013	N/A	INITIAL RELEASE	GDR	N/A	N/A



DIMENSIONS IN [] ARE MILLIMETERS



MERSEN USA NEWBURYPORT-MA, LLC
374 MERRIMAC STREET
NEWBURYPORT, MA 01950

MPDB(66020,66021,66022,66023)

PDB 1-3P, ADDER COPPER INTERMEDIATE

(2) 2/0-14 X (2) 2/0-14

OUTLINE DIMENSIONS
NOT TO BE USED FOR PRODUCTION

701899

PRODUCT MANAGER

SIGN:

DATE:

DESIGN ENGINEER

SIGN:

DATE: (SEE ECO)