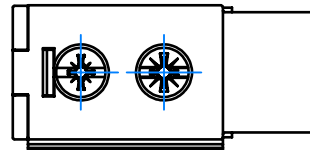
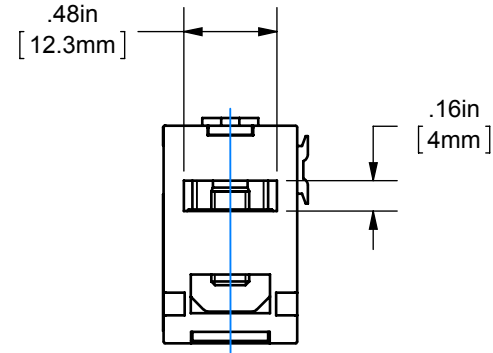
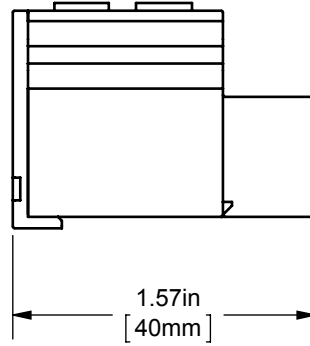
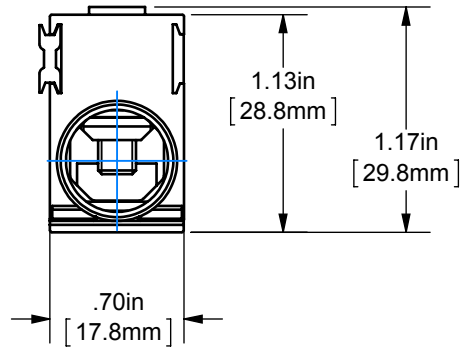
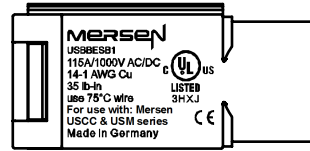


REV.	DATE	ECO	DESCRIPTION	BY	CK	APP
-	02/15/13	N/A	INITIAL RELEASE	LDB	N/A	N/A



DIMENSIONS IN [] ARE MILLIMETERS



MERSEN USA NEWBURYPORT-MA, LLC
 374 MERRIMAC STREET
 NEWBURYPORT, MA 01950

USBBESB1

USBB FEEDER TERMINAL

115A 1000VAC/DC

OUTLINE DIMENSIONS
 NOT TO BE USED FOR PRODUCTION

701876

PRODUCT MANAGER

SIGN:

DATE:

DESIGN ENGINEER

SIGN:

DATE: