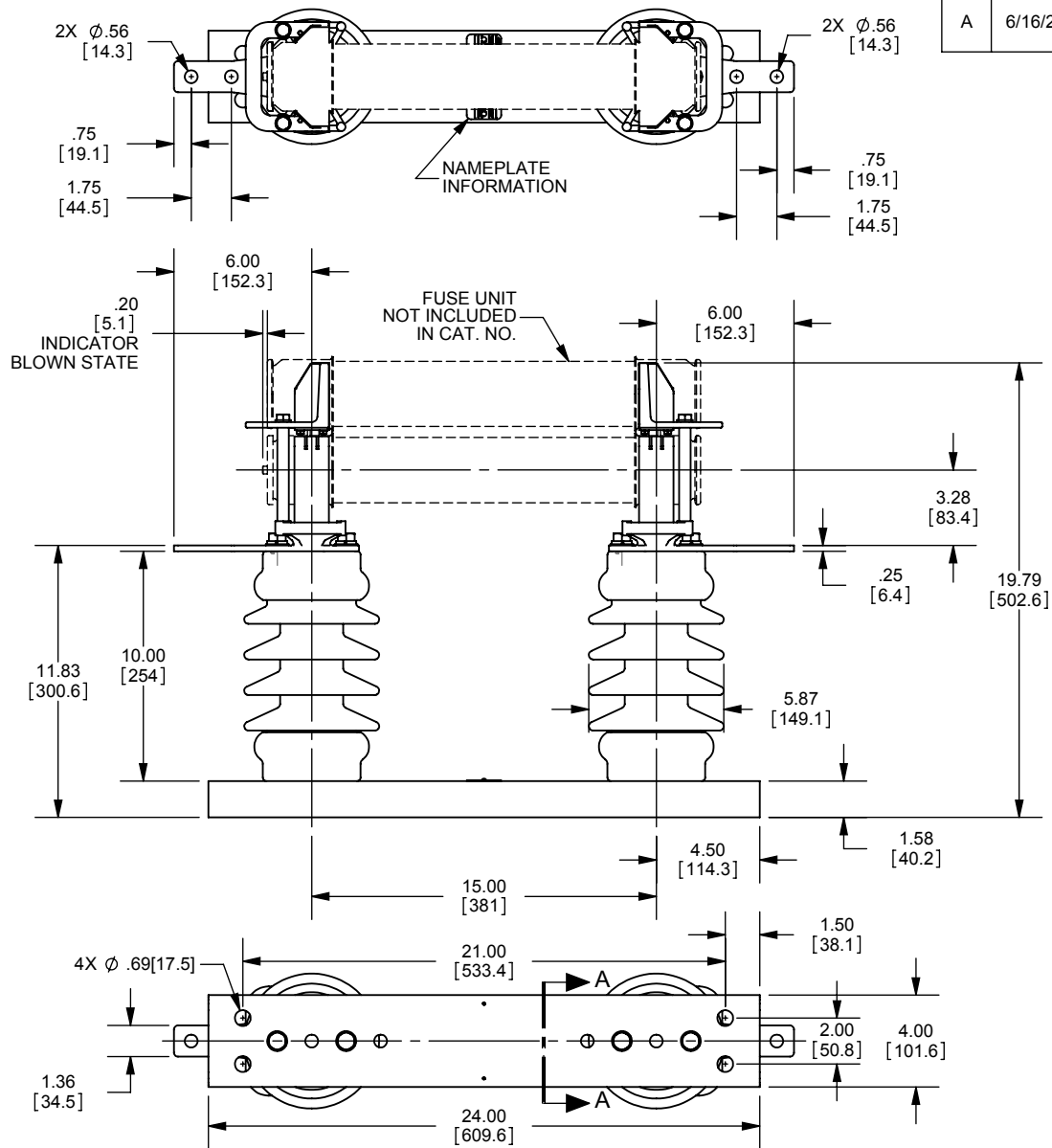


REV.	DATE	ECO	DESCRIPTION	BY	CK	APP
A	6/16/2011	N/A	CHANGED DESCRIPTION FROM "FUSE DISCONNECT SWITCH" TO "FUSE SUPPORT"	RB	N/A	N/A



DIMENSIONS IN [] ARE MILLIMETERS



MERSEN USA NEWBURYPORT-MA, LLC
374 MERRIMAC STREET
NEWBURYPORT, MA 01950

**9F61CGL409
FUSE SUPPORT
EKO-1DD
15.5kV MAX 110kV BIL**

OUTLINE DIMENSIONS
NOT TO BE USED FOR PRODUCTION

701688

PRODUCT MANAGER
SIGN:
DATE:

DESIGN ENGINEER
SIGN:
DATE: