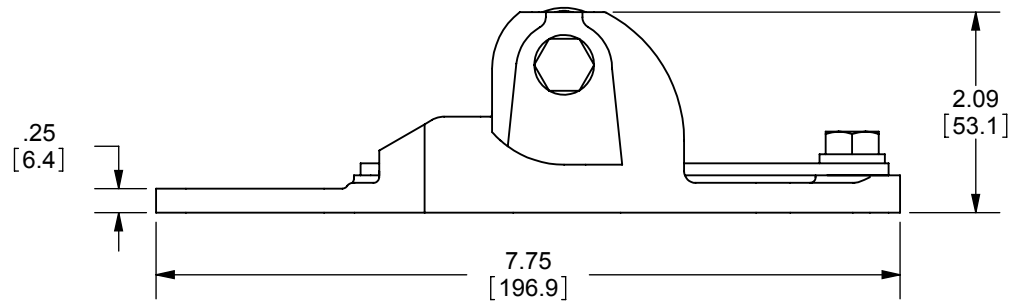
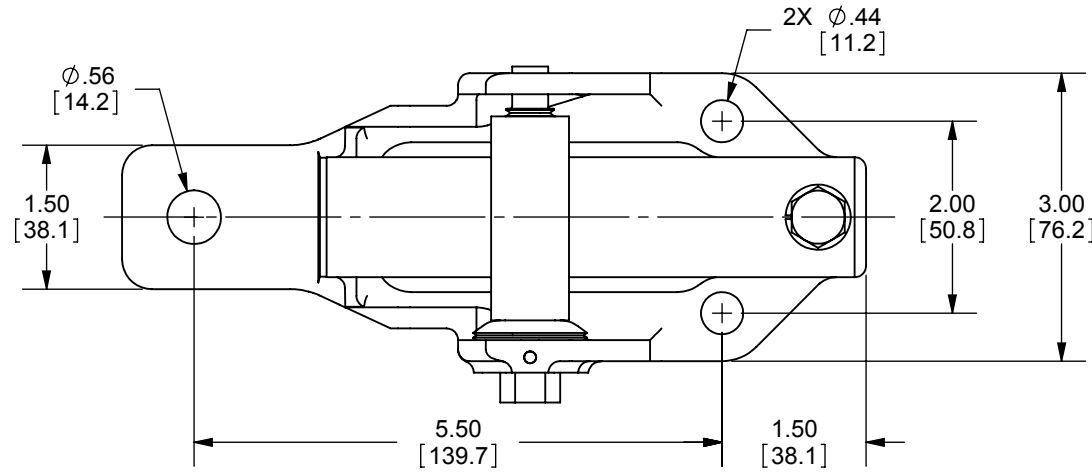


REV.	DATE	ECO	DESCRIPTION	BY	CK	APP
-	9/20/10	N/A	INITIAL RELEASE	RB		N/A



DIMENSIONS IN [] ARE MILLIMETERS



MERSEN USA NEWBURYPORT-MA, LLC
374 MERRIMAC STREET
NEWBURYPORT, MA 01950

9F61BDW805
HINGE SUPPORT
SHORT TAB FD

OUTLINE DIMENSIONS
NOT TO BE USED FOR PRODUCTION

701560

PRODUCT MANAGER

SIGN:

DATE:

DESIGN ENGINEER

SIGN:

DATE: