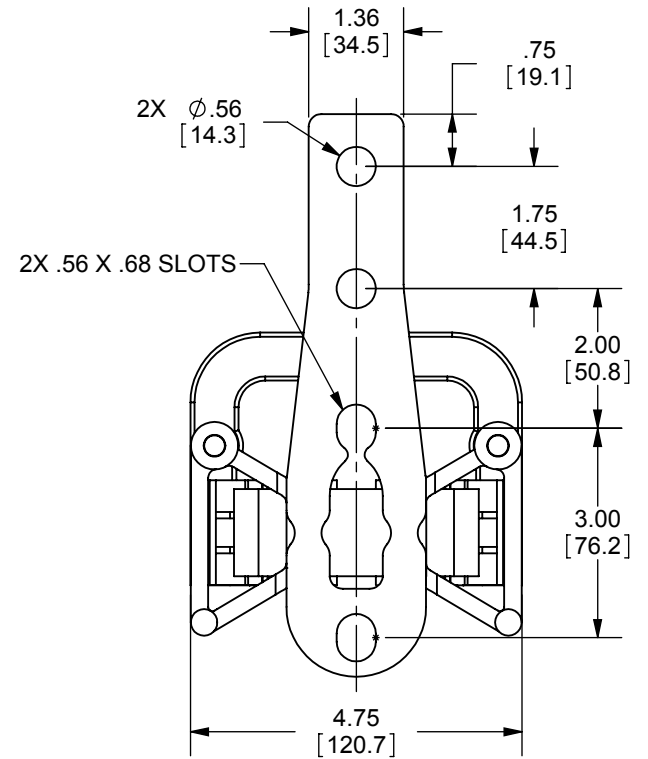
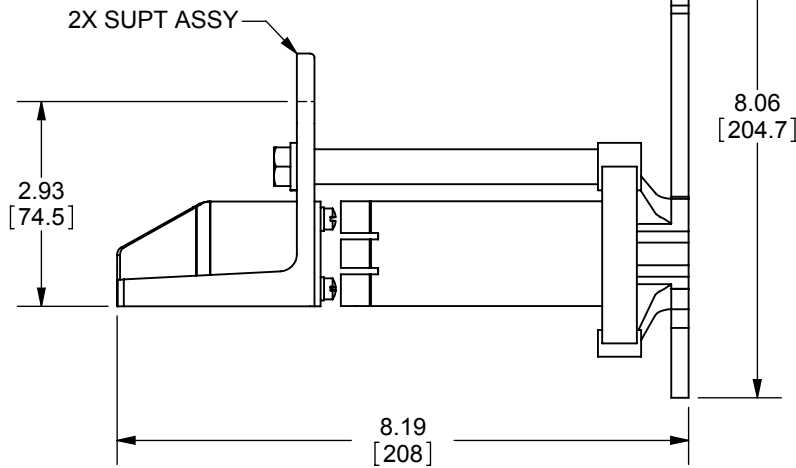
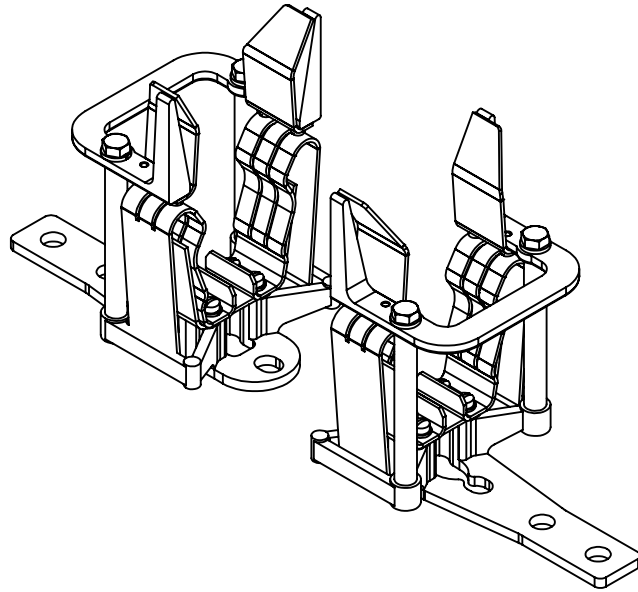


REV.	DATE	ECO	DESCRIPTION	BY	CK	APP
-	8/26/10	N/A	INITIAL RELEASE	RB	NA	N/A



DIMENSIONS IN [ ] ARE MILLIMETERS



MERSEN USA NEWBURYPORT-MA, LLC  
374 MERRIMAC STREET  
NEWBURYPORT, MA 01950

9F61AWW738  
SP 3 IN. D(2) LONG  
LIVE PARTS

OUTLINE DIMENSIONS  
NOT TO BE USED FOR PRODUCTION

701539

PRODUCT MANAGER

SIGN:

DATE:

DESIGN ENGINEER

SIGN:

DATE: