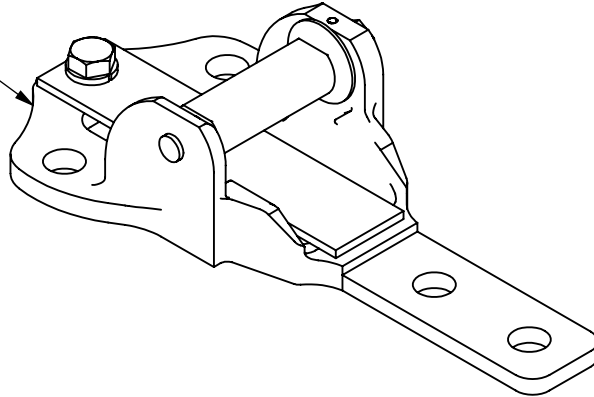
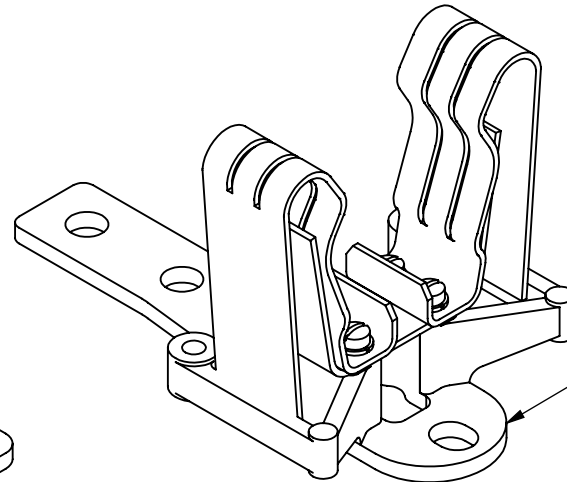


REV.	DATE	ECO	DESCRIPTION	BY	CK	APP
-	9/22/10	N/A	INITIAL RELEASE	RB		N/A

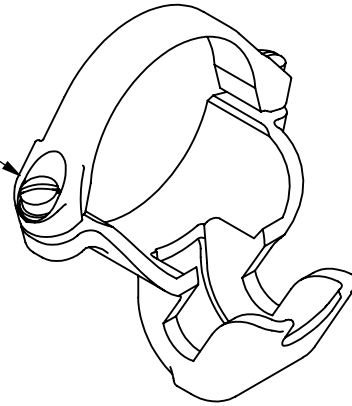
9F61BDW905  
DWG# 701559



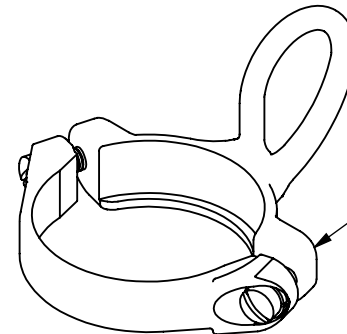
9F61BNW744  
DWG# 701534



9F61BKW398  
DWG# 701533



9F61AWW612  
DWG# 701544



DIMENSIONS IN [ ] ARE MILLIMETERS



MERSEN USA NEWBURYPORT-MA, LLC  
374 MERRIMAC STREET  
NEWBURYPORT, MA 01950

OUTLINE DIMENSIONS  
NOT TO BE USED FOR PRODUCTION

PRODUCT MANAGER

DESIGN ENGINEER

SIGN:

SIGN:

DATE:

DATE:

9F61BNW747  
SP 3 IN. D LONG  
LIVE PARTS FD

701537