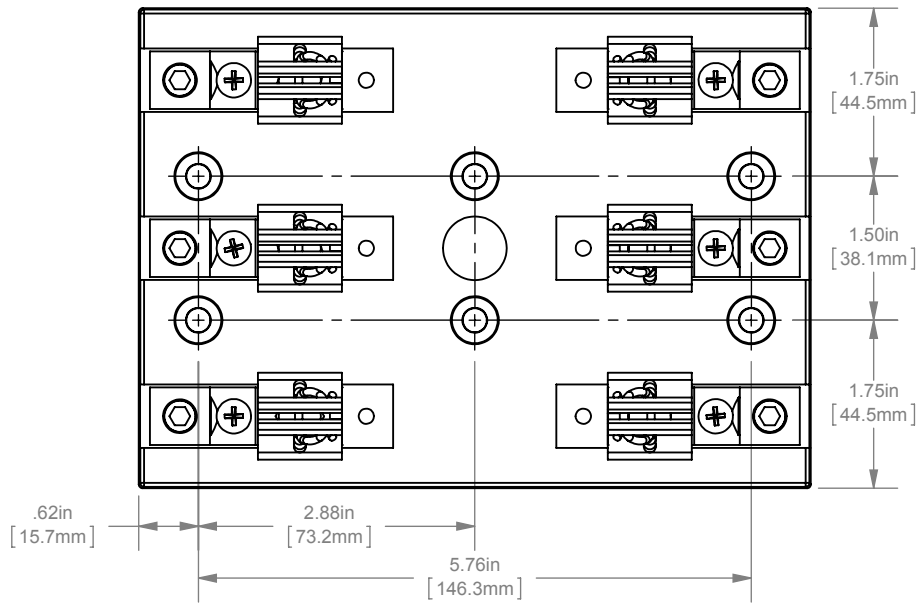
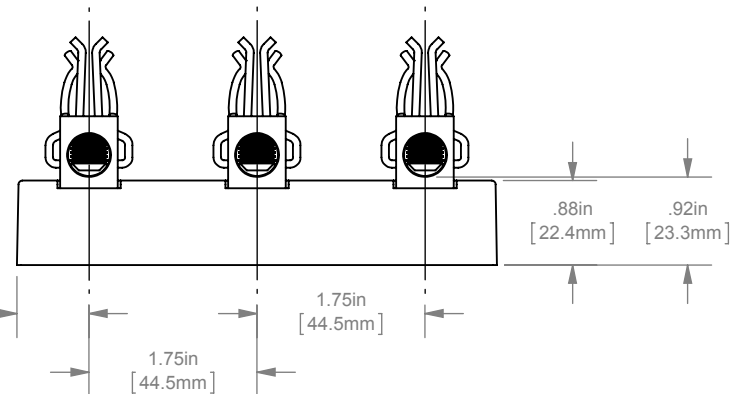
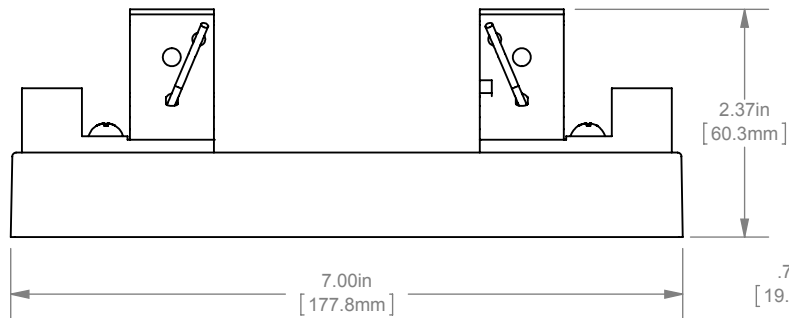


REV.	DATE	ECO	DESCRIPTION	BY	CK	APP
A	1/16/2014	N/A	REDRAWN IN SOLIDWORKS	GDR	N/A	N/A



**NOTES:**

1. MATERIAL COMPOSITION AND RATING:  
BASE THERMOSTAT 150° C RTI.
2. ALL OTHER TOLERANCES ±.010  
UNLESS OTHERWISE NOTED.



61038J	AI BOX	200K	120	75	Al/Cu	E52283	IZLT	LR32169
P/N	CONN TYPE	RMS SYM RATING	TORQUE (IN-LBS)	°C	TYPE	FILE NO.	GUIDE NO.	REPORT NO.
					WIRE		U/L	CSA

DIMENSIONS IN [ ] ARE MILLIMETERS



MERSEN USA NEWBURYPORT-MA, LLC  
374 MERRIMAC STREET  
NEWBURYPORT, MA 01950

**61038J**

**FUSE BLOCK, 3P CLASS J**

**100A 600V**

OUTLINE DIMENSIONS  
NOT TO BE USED FOR PRODUCTION

**700751**

**PRODUCT MANAGER**

**SIGN:**

**DATE:**

**DESIGN ENGINEER**

**SIGN:**

**DATE: (SEE ECO)**